



# TriflexAIR Seats

minimal space | maximum comfort

TriflexAIR 



# Maximum space

with minimum effort



TriflexAIR Seats combine minimal space with maximum comfort. Its ergonomic design ensures long lasting comfort during long trips. With maximum safety features that goes above & beyond the highest standards. With its clever folding feature, it's easy to obtain maximum space in one minimal movement.

## Key points

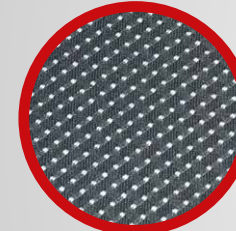
- \* M1 Approved & tested according to the highest safety standards
- \* Easy to fold/unfold in one effortless movement
- \* Ergonomic and slimline design with high quality materials
- \* Minimal space for maximum comfort for wheelchair passengers
- \* Adjustable headrest allows unobstructed view
- \* Integrated 3-point seatbelt
- \* Available in multiple colours and upholstery



Height-adjustable headrest



User-friendly tipping seats



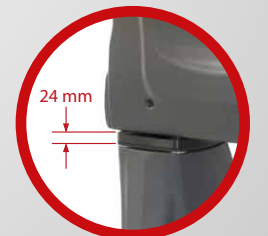
Breathable upholstery



Hidden ISOFIX attachment point



Three-point seatbelt



Ultrathin swivel

# Maximum features

with minimum weight

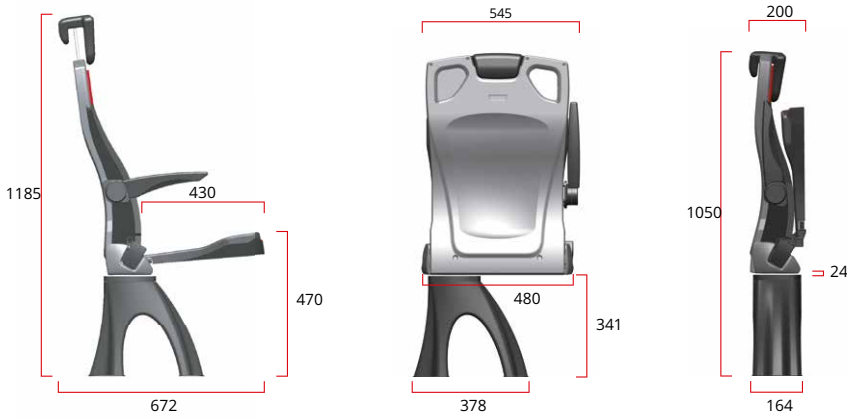


ISOFIX attachment point for child safety seats



# Minimal weight | maximum dimensions

## Dimensions



## Weight

Seat (incl. headrest & seatbelt)	15.700 g
Armrest	0.960 g
Leg (mounted)	4.150 g
Swivel (mounted)	3.400 g
Wheelarch bracket kit for 1 seat	10.300 g
Wheelarch bracket kit for 2 seats	11.400 g



### Standards & regulations:

- UN R14-07
- UN R16-06
- UN R17-08
- UN R21-01



93 - 123



All rights reserved. All information may be subject to changes and typographical errors.

VK-73-190704



Proostwetering 71  
3543 AC Utrecht  
The Netherlands

**T** +31 30 669 50 20  
**E** info@tribus-group.com  
**I** www.tribus-group.com

