

# Butterfly clip

User manual

Thank you for choosing a

# Butterfly clip from BraunAbility!

The following manual is an important part of the product, providing you with information on how to achieve maximum performance and safe operation. Keep the manual in a safe place so that you can refer to it when necessary.

If you have any questions about your equipment, please contact us.

Once again, thank you for placing your confidence in our products!



Safe vehicle adaptation solutions

*For your safety BraunAbility products  
are designed and tested according to  
current directives and standards.*

---

**Safety information**

---

4 Limitation of use

---

**Fit and use**

---

6 Butterfly Clips on to the seat frame

7 Space parts and ancillary items

---

**After care**

---

8 Equipment storage and maintenance

8 Warranty

Product certificate at the end of the manual.

# Safety information

## Limitation of use



*This range of butterfly clips have been designed for use with a variety of M2 single seats where the intention is that they are fitted into our rail in a fixed position within the vehicle.*



*If seatbelts are attached to the seat and the vehicle is to be sold within the EU, the vehicle builder will invariably require evidence that the assembly meets the appropriate directives.*



*Although the Butterfly Clips have performed satisfactorily in tests where M2 loads were applied to a single seat up to 30kg, care needs to be taken in reading across test results from one installation to another. If doubt regarding a particular installation exists, refer to BraunAbility, the seat manufacturer or the vehicle builder.*



*The binx nuts are only to be used once, if the seats are moved replacement nuts are to be used.  
(see spare parts/ancillary items)*



*Butterfly clip seat fixtures should only be fitted and used in the way described in this manual. If you have any queries on the installation or use of these products please contact BraunAbility.*

Butterfly Clip with 3/8 UNF bolt – RBC



Butterfly Clip with M10 bolt - RBCL



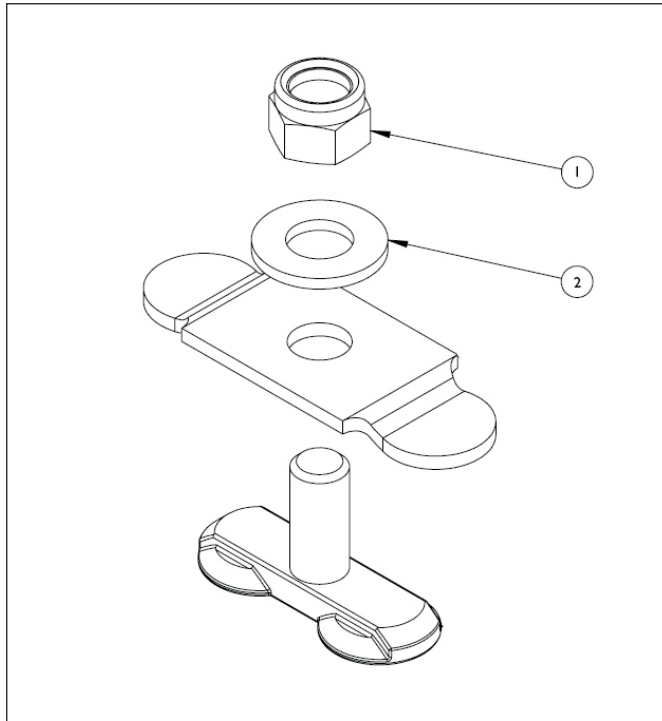
## Fit and use

### Butterfly Clips on to the seat frame

#### M2 Application Only

1. Two pairs of Butterfly Clips are normally required for each seat.
2. If it is intended that the seat should face the rear please contact BraunAbility.
3. Place the fixings in the rails where the seat is to be positioned.
4. Remove the washer and nut from each fixing.
5. Position the seat on the fixings, place a washer & nut on all studs and tighten; a screw tightening torque of 40Nm (30lbft) is recommended.
6. To achieve maximum strength as an assembly the fixing studs must protrude beyond the nut by a minimum of 1.5mm

## Space parts and ancillary items



### RBC

- |    |           |                   |
|----|-----------|-------------------|
| 1. | NC-U3/8-Z | 3/8" UNF Binx Nut |
| 2. | WA-M10-Z  | Washer            |

### RBCL

- |    |          |                           |
|----|----------|---------------------------|
| 1. | NC-M10-Z | M10, Nyloc Zinc Plate Nut |
| 2. | WA-M10-Z | Washer                    |

Additional washers and binx nuts can be purchased.  
Please contact sales office for details.



## WARNING

If it is intended that the seat should face the rear,  
please contact BraunAbility.

## **After care**

### **Equipment storage and maintenance**

Regularly inspect Butterfly Clips for damage, wear or malfunction. If any problems are identified replace immediately.

### **Warranty**

BraunAbility products are extensively tested using BraunAbility anchorage systems, and our full warranty normally only applies to BraunAbility equipment when used with BraunAbility branded anchorages or as instructed.

BraunAbility have also participated in test programs with other manufacturers anchorage products and will support warranty on the BraunAbility products when used in conjunction with such jointly tested systems.

For further details on specific applications please contact the Sales Office. In other situations, using BraunAbility products, for which BraunAbility has not participated in a joint test program, a limited BraunAbility warranty will apply.



EN

After care

# Declaration of conformity

## Manufacturer /

BraunAbility UK Ltd  
Unwin House  
The Horseshoe Coat Road  
Martock, Somerset, TA12 6EY,  
UK

Phone: +44 1935 827740  
E-mail: [info@braunability.eu](mailto:info@braunability.eu)  
[www.braunability.eu](http://www.braunability.eu)

## Declares that the products /

RBC, RBCL

## Conforms to applicable paragraphs in the following Directives, Standards and Regulations /

2001/85/EC Annexe VII Paragraphs 3.8.2.8 & 3.8.2.9  
76/115/EEC  
R.14.07  
R.107.06  
BS EN 1789:2007+A2:2014

BraunAbility, Martock, 14<sup>th</sup> June 2019

A handwritten signature in black ink, appearing to read 'Rob Butcher', with a long horizontal stroke extending to the right.

Rob Butcher  
Director of Engineering



URS is a member of Registrar of Standards (Holdings) Ltd.

Quality system certified in accordance with ISO 9001:2015

Illustrations, descriptions and specifications in the user manual are based on current product information. BraunAbility UK Ltd reserves the right to make alterations without previous notice.

© 2020 BraunAbility UK Ltd

**BraunAbility UK Ltd**  
Unwin House  
The Horseshoe, Coat Road  
Martock, Somerset, TA12 6EY,  
UK

Phone: +44 1935 827 740  
E-mail: [info@braunability.eu](mailto:info@braunability.eu)  
[www.braunability.eu](http://www.braunability.eu)