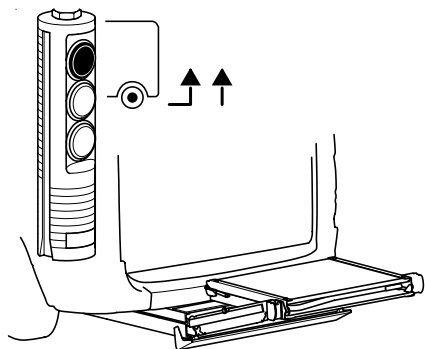
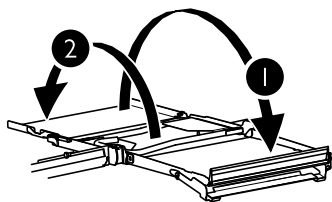


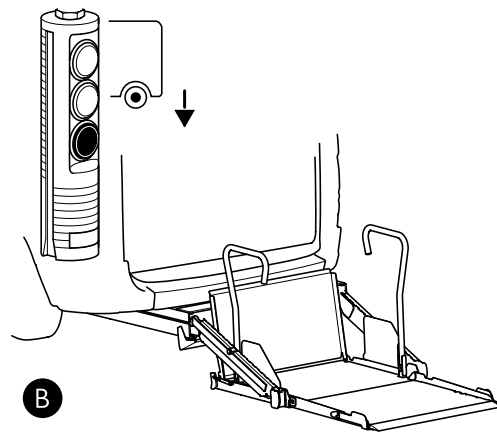
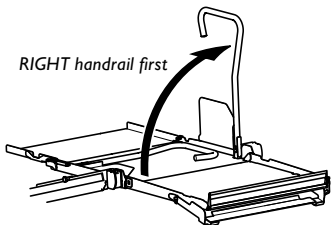
USER INSTRUCTION (Turn page for manual emergency operation)



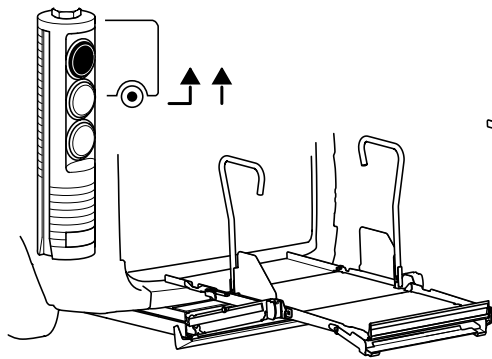
A



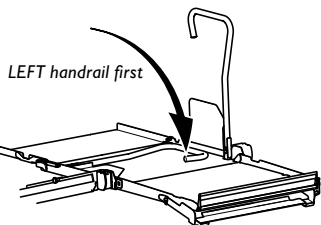
RIGHT handrail first



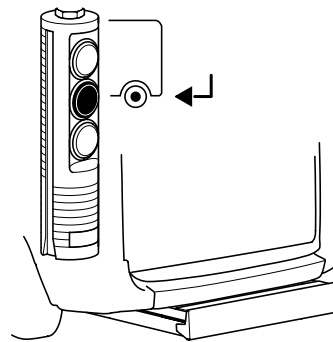
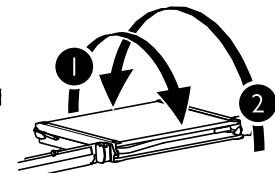
B



C

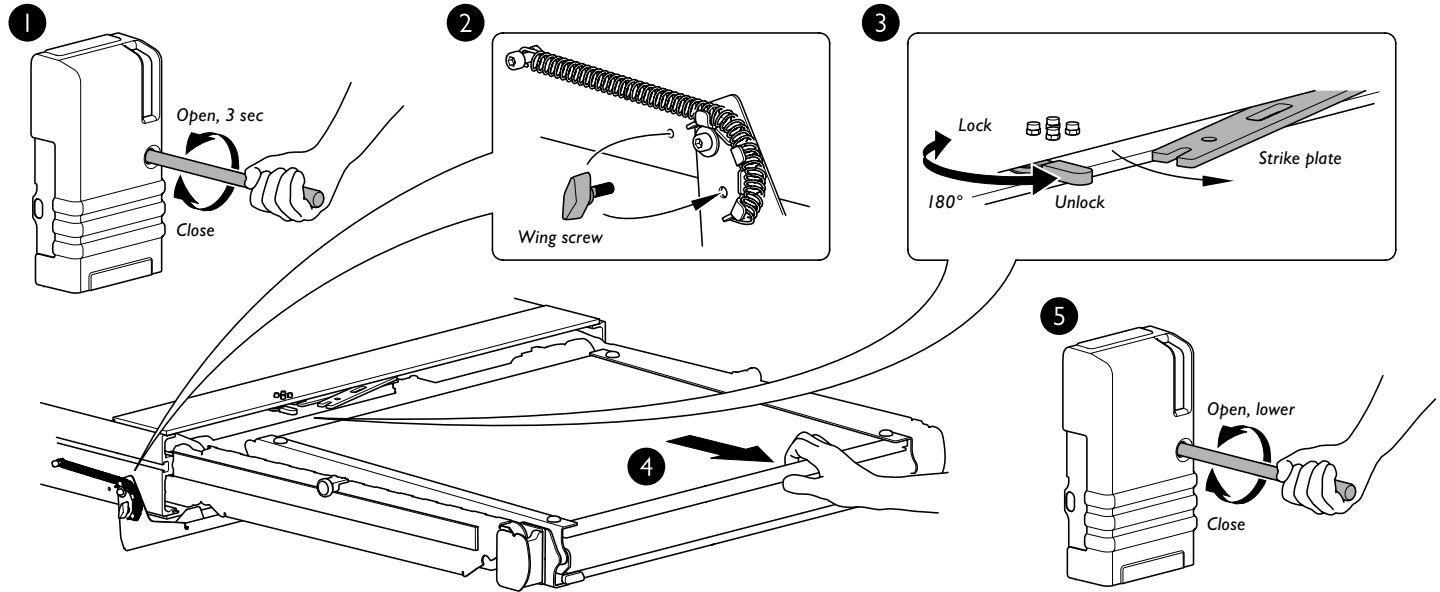


LEFT handrail first



D

MANUAL EMERGENCY OPERATION (Turn page for user instruction)



Unstow and down

1. Open the valve for 3 seconds. Close the valve again.
2. Fold down the front cover. Move the wing screw to hold the front cover down.
3. Unlock the red catch. Beware of the strike plate that springs out.
4. Pull out the platform and unfold.
5. Open the valve to lower the platform to the ground. Close the valve again.

Up and stow

6. Work the pump to raise the platform until the arms align with the cassette.
Perform step 4, 3 and 2 in reverse order to stow the lift back into the cassette.

