

Owner Manual  
International

# **Inboard Lift**

# **Q Series**

# **Solid Platform**

Rev. **A** Build

Public Use  
Wheelchair Lifts



[www.braunability.com/international](http://www.braunability.com/international) ISO 9001:2015

631 West 11th Street, Winamac, IN 46996, USA

Phone: +1 574 946 6153

Fax: +1 574 946 4670

403551 Rev. A  
November 2017  
2017



Original Instructions



## Warranty and Registration Instructions

Immediately upon receiving the lift, examine the unit for any damage. Notify the carrier at once with any claims.

Two warranty/registration cards (shown right) are located in the lift-mounted manual storage pouch. The sales representative must process one of the cards. The consumer must fill out the other card and mail it to BraunAbility. The warranty is provided in this manual. The warranty cards must be processed to activate the warranty.

Model No. \_\_\_\_\_
Serial No. \_\_\_\_\_

OWNER'S WARRANTY REGISTRATION	
XXXXXXXXXX	XX-XXXXXX
PURCHASED FROM _____	
OWNER	
NAME _____	DATE INSTALLED _____
ADDRESS _____	
CITY _____	
TELEPHONE _____	STATE _____ ZIP _____
TO VALIDATE WARRANTY REGISTRATION CARDS MUST BE RETURNED TO THE BRAUN CORPORATION.	

Sample Warranty/Registration Card

Two BraunAbility Serial identification tags (shown below) are posted on the lift. One I.D. tag is posted on the opposite pump side vertical arm. A second I.D. tag is located on the opposite pump side tower. Both I.D. tags provide the product identification

information provided on the warranty/registration card. Record the information in the space provided (or document on a copy). This information must be provided when filing a warranty claim or ordering parts.

<b>BraunAbility®</b> INDIANA, USA BRAUNABILITY.COM XXXX Use Lift MODEL NUMBER <div style="border: 1px solid black; width: 100px; height: 15px; margin: 2px auto;">XXXXXXX</div> Max. Lifting Capacity - XXX lb SERIAL NUMBER <div style="border: 1px solid black; width: 100px; height: 15px; margin: 2px auto;">XXXXXXXX</div> <table style="width: 100%; border-collapse: collapse;"> <tr> <td style="border: 1px solid black; padding: 2px;">MFG DATE</td> <td style="border: 1px solid black; padding: 2px;">REV</td> </tr> <tr> <td style="border: 1px solid black; padding: 2px;">XXXXXXX</td> <td style="border: 1px solid black; padding: 2px;">X</td> </tr> </table>		MFG DATE	REV	XXXXXXX	X	<div style="margin-bottom: 10px;">→ Model No. _____</div> <div style="margin-bottom: 10px;">→ Serial No. _____</div> <div style="margin-bottom: 10px;">→ Rev. _____</div> <div style="margin-bottom: 10px;">→ Date of Manufacture _____</div>
MFG DATE	REV					
XXXXXXX	X					

Sample Serial Number Identification Tag

All illustrations, descriptions and specifications in this manual are based on the latest product information available at the time of publication. BraunAbility reserves the right to make changes at any time without notice.

# Contents

Installation and Service Safety Precautions .....	2 - 3
Lift Operation Safety .....	4 - 6
Specifications .....	7
Lift Terminology .....	8
Lift Installation	
Position Lift .....	9 - 10
Secure Lift .....	11 - 12
Attach Power and Ground Cables .....	13 - 14
Connect Interlock .....	15 - 16
Auto-Tite™ Functionality .....	17
Stow Area .....	18
Platform Angle Adjustment .....	19
Roll Stop Anti-Rattle Adjustment .....	20
Tower Microswitch Adjustment .....	21 - 22
Lift Power Switch .....	23
Hand Control Pendant Illumination .....	24
Installer Verification .....	25 - 26
Lift Operation Safety .....	27 - 29
Lift Operating Instructions .....	30 - 32
Manual Operating Instructions .....	33 - 34
Maintenance and Lubrication Schedule .....	35 - 40
Declaration of Conformity .....	41

---

## Document Cross Reference

Lift Model EDQC08S86132L - Service Manual 403552  
Lift Model EDQC08S74107L - Service Manual 403568

# Installation and Service Safety Precautions

## Safety Symbols

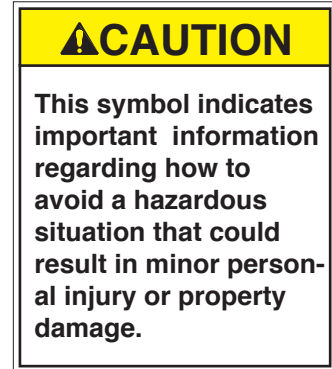
**SAFETY FIRST!** Know That....

**A** The information contained in this manual and supplements (if included), is provided for your use and safety. Familiarity with proper installation, operation, maintenance and service procedures is necessary to ensure safe, trouble free lift operation. Safety precautions are provided to identify potentially hazardous situations and provide instruction on how to avoid them.


**B**





**C**





**D** **NOTICE** Additional information provided to help clarify or detail a specific subject.


**E**  This symbol indicates that there are dangerous energy levels present inside the enclosure of this product. To reduce the risk of fire or electric shock, do not attempt to open the enclosure or gain access to areas where you are not instructed to do so. Refer servicing to qualified service personnel only.


**F**  This symbol indicates that a condition where damage to the equipment resulting in injury to the operator could occur if operational procedures are not followed. To reduce the risk of damage or injury, refer to accompanying documents, follow all steps or procedures as instructed.

**G**  This symbol indicates that a condition where injury or damage could occur if contact is made with the hot surface.

**H**  This symbol indicates an area to avoid bodily contact to prevent injury.

**I**  This symbol indicates the presence of high pressure hydraulic hoses. Use appropriate personal protective equipment when working on hydraulic system.

**J**  This symbol indicates the presence of a fire hazard. Avoid open flames or sparks when working with flammable materials to prevent injury or damage.

**K**  This symbol indicates a device weighs in excess of 139kg (306 lbs). Use of a fork lift or hoist is required.

These symbols will appear throughout this manual as well as on the labels posted on your lift. **Recognize the seriousness of this information.**



# Installation and Service Safety Precautions

## Service Safety Precautions

### **⚠️ WARNING**

If installation, maintenance or repair procedures cannot be completed exactly as provided in this manual or if the instructions are not fully understood, contact BraunAbility immediately. Failure to do so may result in serious bodily injury and/or property damage.

- ⚠️ WARNING** Read this manual, supplement(s) and lift-posted operating instructions decals before performing installation, operation, or service procedures.
- ⚠️ WARNING** Use appropriate personal protective equipment when installing and servicing lift.
- ⚠️ WARNING** Remove any obstructions within the lift mounting/operating area prior to beginning installation procedures.
- ⚠️ WARNING** Install lift and power platform to fully folded position before removing shipping straps.
- ⚠️ WARNING** Do not fold or unfold the platform prior to positive securement of base plate mounting hardware.
- ⚠️ WARNING** Check for obstructions such as gas lines, wires, exhaust, etc. before drilling or cutting during installation procedures.

- ⚠️ WARNING** Route all cables clear of exhaust system, other hot areas, moving parts, wet areas, etc.
- ⚠️ WARNING** Risk of electrical shock or fire! Use extra care when making electrical connections. Connect and secure as outlined in Installation Instructions and Wiring Diagrams.
- ⚠️ WARNING** Adjust platform angle and floor level positioning of bridge plate before operating lift with passenger.
- ⚠️ WARNING** Maintenance and repairs must be performed only by authorized service personnel.
- ⚠️ WARNING** Perform maintenance and lubrication procedures exactly as outlined in the Maintenance and Lubrication Schedule contained in this manual.
- ⚠️ WARNING** Disconnect the power cable at the battery prior to servicing.
- ⚠️ WARNING** Never modify (alter) a BraunAbility lift.
- ⚠️ WARNING** Replacement parts must be BraunAbility authorized replacements.
- ⚠️ WARNING** Never install screws or fasteners (other than factory equipped).
- ⚠️ WARNING** Whenever replacing a hydraulic cylinder or seals, lower platform fully.
- ⚠️ WARNING** Failure to follow these safety precautions may result in serious bodily injury and/or property damage.

# Lift Operation Safety

## Safety Symbols

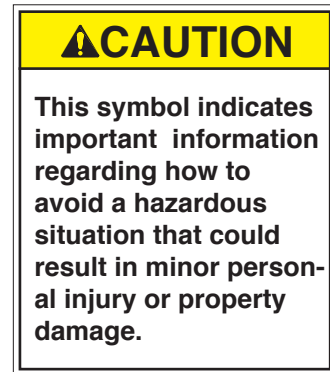
**SAFETY FIRST!** Know That....

**A** The information contained in this manual and supplements (if included), is provided for your use and safety. Familiarity with proper installation, operation, maintenance and service procedures is necessary to ensure safe, trouble free lift operation. Safety precautions are provided to identify potentially hazardous situations and provide instruction on how to avoid them.


**B**





**C**





**D** **NOTICE** Additional information provided to help clarify or detail a specific subject.


**E**  This symbol indicates that there are dangerous energy levels present inside the enclosure of this product. To reduce the risk of fire or electric shock, do not attempt to open the enclosure or gain access to areas where you are not instructed to do so. Refer servicing to qualified service personnel only.


**F**  This symbol indicates that a condition where damage to the equipment resulting in injury to the operator could occur if operational procedures are not followed. To reduce the risk of damage or injury, refer to accompanying documents, follow all steps or procedures as instructed.

**G**  This symbol indicates that a condition where injury or damage could occur if contact is made with the hot surface.

**H**  This symbol indicates an area to avoid bodily contact to prevent injury.

**I**  This symbol indicates the presence of high pressure hydraulic hoses. Use appropriate personal protective equipment when working on hydraulic system.

**J**  This symbol indicates the presence of a fire hazard. Avoid open flames or sparks when working with flammable materials to prevent injury or damage.

**K**  This symbol indicates a device weighs in excess of 139kg (306 lbs). Use of a fork lift or hoist is required.

These symbols will appear throughout this manual as well as on the labels posted on your lift. **Recognize the seriousness of this information.**

# Lift Operation Safety

## Lift Operation Safety Precautions

### **⚠️ WARNING**

If the lift operating instructions, manual operating instructions and/or lift operation safety precautions are not fully understood, contact BraunAbility immediately. Failure to do so may result in serious bodily injury and/or property damage.

- ⚠️ WARNING** Read manual and supplement(s) before operating lift. Read and become familiar with all safety precautions, operation notes and details, operating instructions and manual operating instructions before operating the lift.
- ⚠️ WARNING** Load and unload on level surface only.
- ⚠️ WARNING** Engage vehicle parking brake before operating lift.
- ⚠️ WARNING** Provide adequate clearance outside the vehicle to accommodate the lift before opening lift door(s) or operating lift.
- ⚠️ WARNING** Inspect lift before operation. Do not operate lift if you suspect lift damage, wear or any abnormal condition.
- ⚠️ WARNING** Do not use as a link bridge.

- ⚠️ WARNING** Keep operator and bystanders clear of area in which the lift operates.
- ⚠️ WARNING** Lift attendant must observe passenger at all times during lift operation.
- ⚠️ WARNING** Ensure adequate lighting exists in the lift operating area.
- ⚠️ WARNING** Whenever a wheelchair passenger (or standee) is on the platform, the:
  - Passenger must be positioned fully inside yellow boundaries facing outward.
  - Wheelchair brakes must be locked
  - Bridge plate and roll stop must be up (vertical)
  - Roll Stop latch must be fully engaged
  - Passenger should grip both handrails (if able).
- ⚠️ WARNING** Wheelchair lift attendants should be instructed on any special needs and/or procedures required for safe transport of wheelchair passengers.
- ⚠️ WARNING** Load and unload clear of vehicular traffic.
- ⚠️ WARNING** Do not attempt to load or unload a passenger in a wheelchair or other apparatus that does not fit on the platform area.
- ⚠️ WARNING** The lift attendant shall not ride on the platform with the passenger. The lift is intended for use by a single passenger.
- ⚠️ WARNING** Do not overload or abuse. The load rating applies to both the raising and lowering functions.
- ⚠️ WARNING** Use caution when operating this equipment out of doors during electrical storms or similar electrical phenomena.
- ⚠️ WARNING** Use caution when operating this equipment in severe weather or environmental conditions (fog, rain, snow, ice, dust, etc.)
- ⚠️ WARNING** Discontinue lift use immediately if any lift or vehicle interlock does not operate properly.
- ⚠️ WARNING** Do not operate or board the lift if you or your lift operator are intoxicated.

## Lift Operation Safety

- ▲WARNING** Do not raise front wheelchair wheels (pull wheelie) when loading, boarding, or riding on the platform.
- ▲WARNING** Open lift door(s) fully and secure before operating lift.
- ▲WARNING** Position and secure (buckle, engage, fasten, etc.) the wheelchair-equipped occupant seat belt (torso restraint) before loading onto the wheelchair lift platform.
- ▲WARNING** Lift attendants must ensure that lift occupants keep hands, arms and all other body parts within the lift occupant area and clear of moving parts.
- ▲WARNING** Platform must be positioned at floor level (bridging position) when loading or unloading in and out of vehicle.
- ▲WARNING** Do not use platform bridge plate or roll stop as a brake. Stop and brake wheelchair when loading onto the platform (manually stop and brake manual wheelchairs — stop powered wheelchairs with the wheelchair controls).
- ▲WARNING** Turn powered (electric) wheelchairs off when on lift platform.
- ▲WARNING** Press the DOWN switch until the entire platform rests on ground level (lowered fully) and the roll stop is fully unfolded (ramp position) before loading or unloading a passenger at ground level.
- ▲WARNING** Roll stop must be fully unfolded (ramp position) until front and rear wheelchair wheels cross the barrier when loading or unloading at ground level.
- ▲WARNING** Accidental activation of control switch(es) may cause unintended operation(s).
- ▲WARNING** Maintenance and lubrication procedures must be performed as specified in this manual by authorized (certified) service personnel.
- ▲WARNING** Replace missing, worn or illegible decals.
- ▲WARNING** Never modify (alter) a BraunAbility lift.
- ▲WARNING** Do not use accessory devices not authorized by BraunAbility.
- ▲WARNING** Do not remove any guards or covers.
- ▲WARNING** Keep clear of any hydraulic leak.
- ▲WARNING** Failure to follow these safety precautions may result in serious bodily injury and/or property damage.

# Specifications



The lift must be installed, operated, and maintained as detailed in applicable manuals. Any use of equipment other than instructed in this manual is prohibited.

The specifications below reflect CE standards. Lifts meet or exceed these requirements.

## Operating Temperature

This equipment will operate in its intended ambient at a minimum between -30°C and 65°C.

## Relative Humidity

This equipment will operate correctly within an environment at 50% RH, at 40°C.

## Altitude

This equipment will operate correctly up to 1000m above mean sea level.

## Sound Pressure Level

The emission sound pressure level at the operator's position is expected not to exceed 70 db(A).

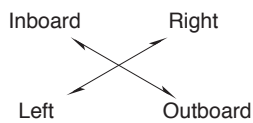
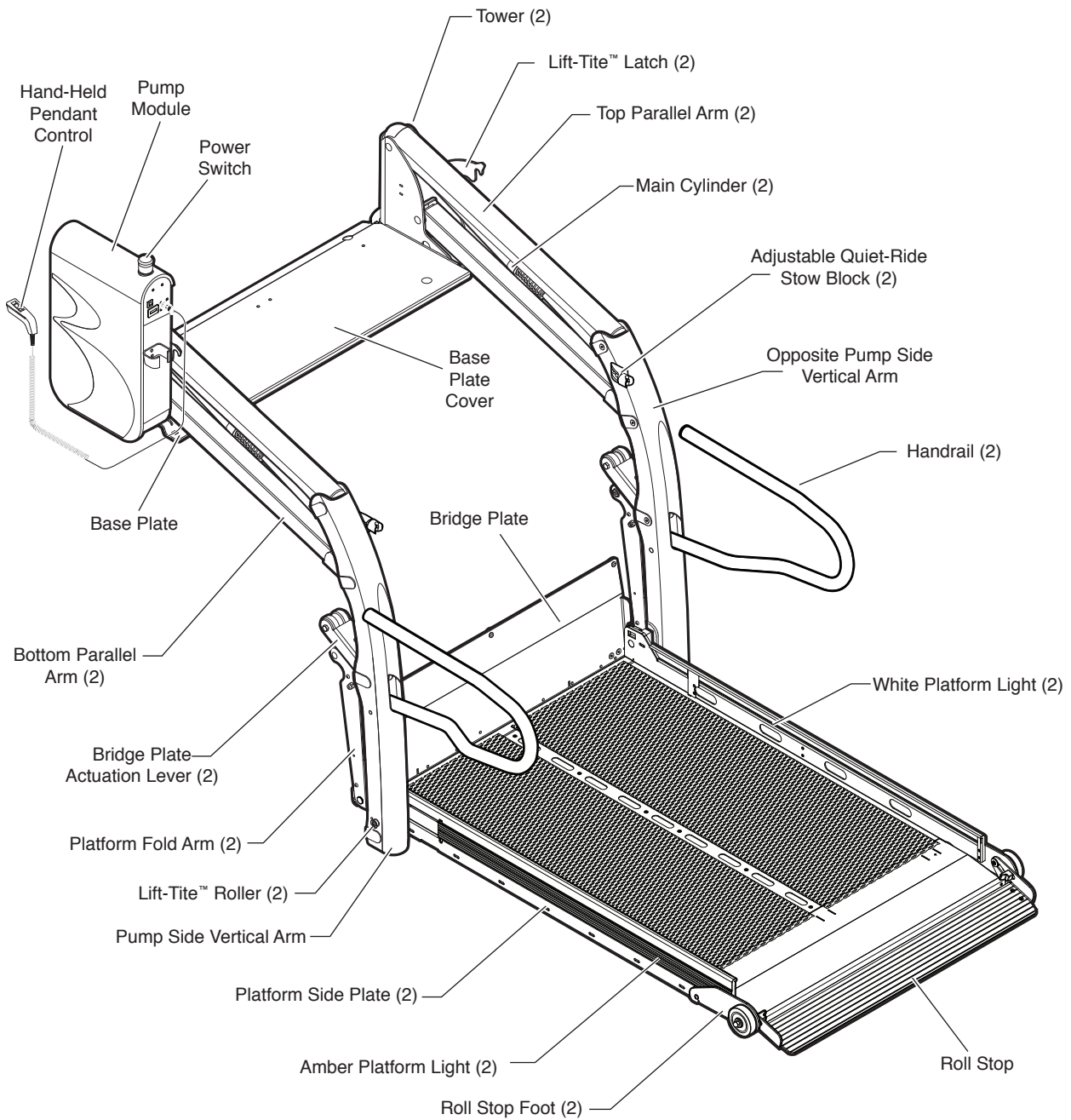
## Transportation and Storage

This equipment will withstand, or has been protected against, transportation and storage temperatures of -25°C to +55°C, and for short periods of up to +70°C.

The lift has been packaged to prevent damage from the effects of normal humidity, vibration, and shock.

Lift Model	Maximum Load Capacity	Power Requirement	Lift Weight
EDQC08S86132L	400kg (880lbs)	12 VDC	143kg (315lbs)
EDQC08S74107L	400kg (880lbs)	12 VDC	126kg (278lbs)

# Lift Terminology



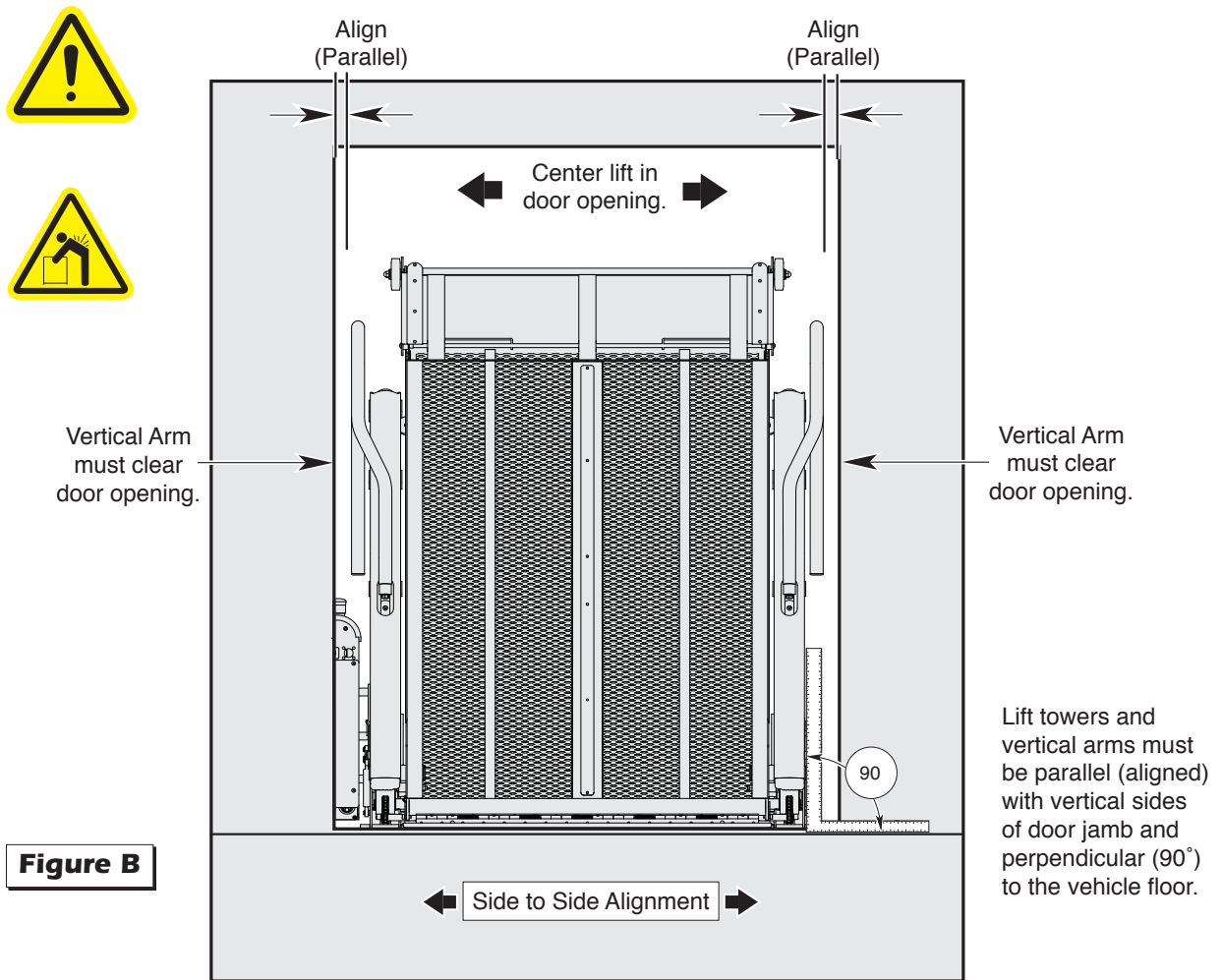
BraunAbility wheelchair lifts provide a method of boarding and exiting applicable motor vehicles. BraunAbility wheelchair lifts accommodate wheelchair passengers, standees, and other mobility aid users.



The lift must be installed, operated, and maintained as detailed in this manual. Any use of equipment other than instructed in this manual is prohibited.

# Lift Installation

## Position Lift



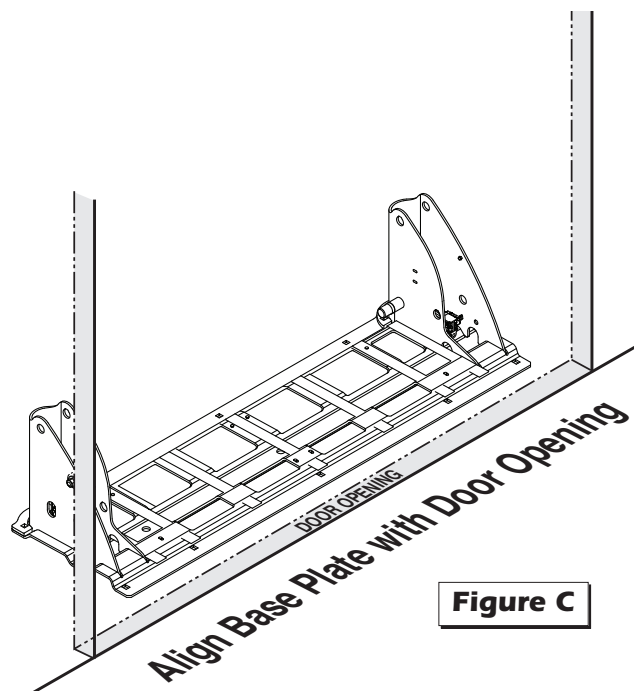
**Figure B**

### Clearance:

Center the lift in the opening. See Figure B. Position the base plate parallel to (aligned with) the door opening as shown in Figure C. Close the vehicle door(s).

Position lift as close to the door opening as possible while maintaining a minimum clearance of 12 mm between the lift and the door or wall. See Figure D.

**Lift-Tite® Latches:** When checking vehicle wall clearance - allow the lift to drift fully into the Lift-Tite® latches to ensure clearance (should drift occur). See Figure F. Using the hand pump handle, stroke the hand pump to stow the lift fully. Then open the valve slightly (1/2 turn only), and allow the Lift-Tite® latches to engage the vertical arm pins fully. Close pump valve.



**Figure C**



# Lift Installation

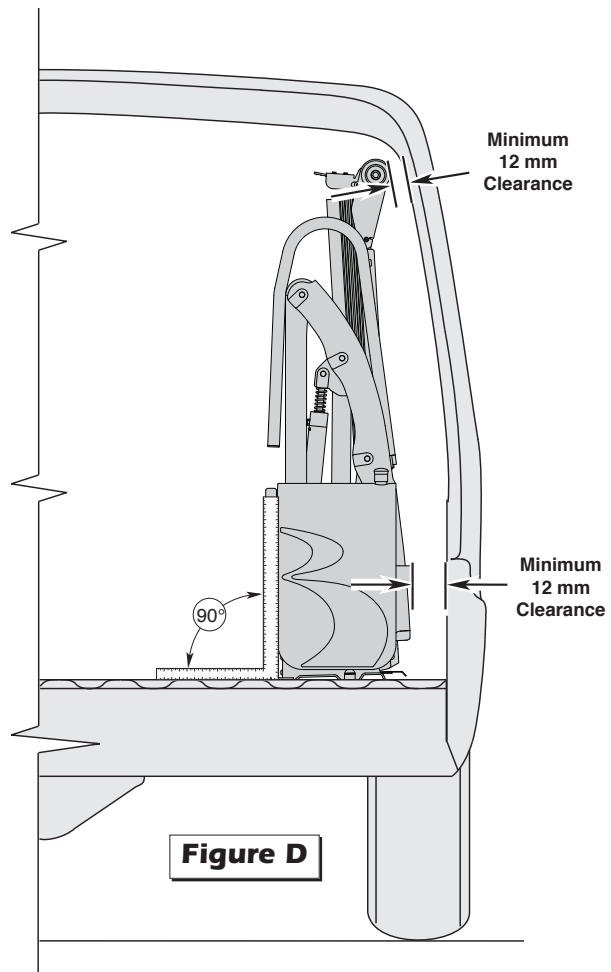
## Position Lift

### Alignment:

**Side-to-Side Alignment:** See Figure B on previous page. The lift vertical arms and platform should be perpendicular (90°) to the vehicle floor and parallel (aligned) with the vertical sides of door jamb. The vertical arms and the parallel arms must clear the door opening when the lift folds and unfolds.

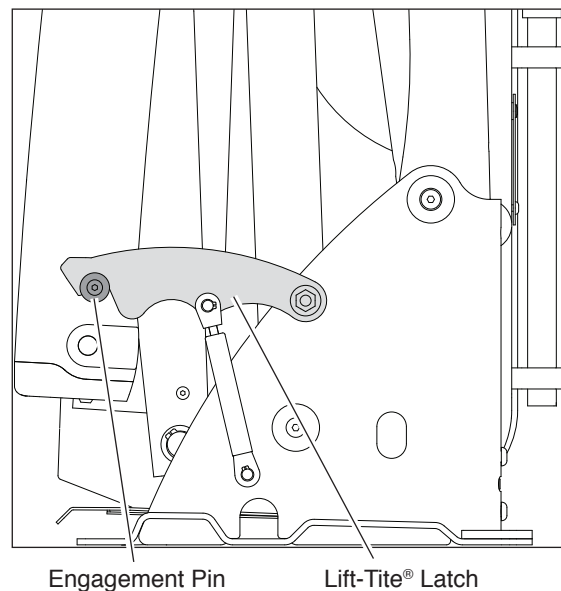
**Inboard-to-Outboard Alignment:** See Figure D. The vertical arms and parallel arms must be aligned and parallel to each other. See Figure D. The lift towers should be perpendicular (90°) to the vehicle floor.

**Step well Installations:** It is not permissible for the base plate to overhang the step well. Base plate support must be constructed in the step well for lift support. The structure must be level with the existing floor and of equivalent construction (structural strength).



**Figure F**

**Lift-Tite® Latches:** When checking vehicle wall clearance - allow the lift to drift fully into the Lift-Tite® latches to ensure proper clearances.





# Lift Installation

## Secure lift

**Figure G**

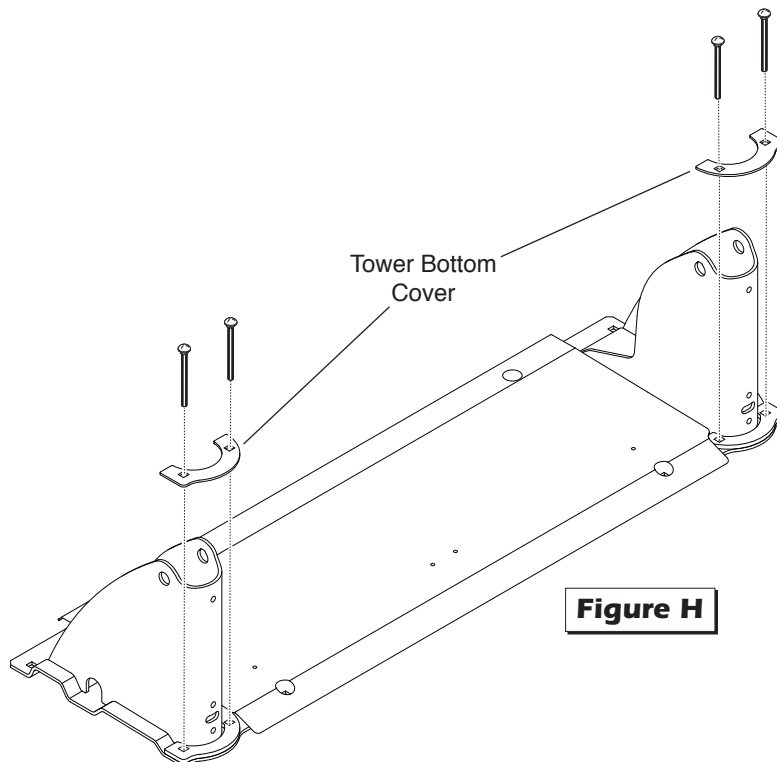


**⚠ WARNING**

Check for obstructions such as gas lines, wires, exhaust, etc. before drilling or cutting. Failure to do so may result in serious bodily injury and/or property damage.

1. Drill two mounting holes (holes 6 and 7).
2. Temporarily secure lift using two mounting bolts and install tower bottom cover as shown in Figure H. (holes 6 and 7).
3. Manually deploy lift and check lift clearance. Drill remaining mounting holes.
4. Install below floor mounting hardware per instructions supplied in kit.
5. Install remaining mounting bolts.
6. Tighten mounting bolts 1 through 8 per sequence detailed above. Note deflection detail on following page.

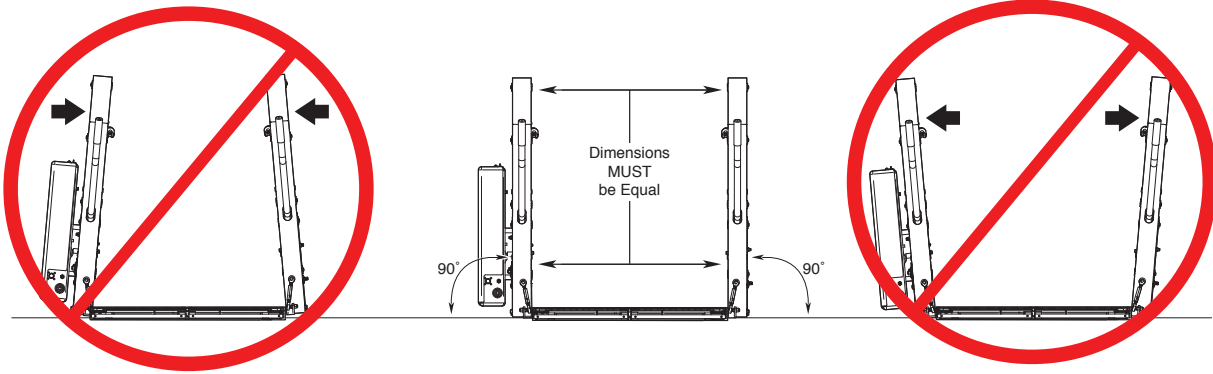
**Mounting Bolt Torque Target: 40 Nm.**



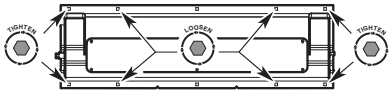
**Figure H**

# Lift Installation

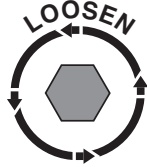
## Secure lift



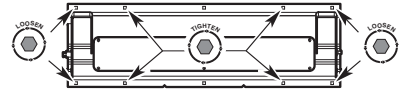
To Correct:



Tighten Loosen Tighten



To Correct:

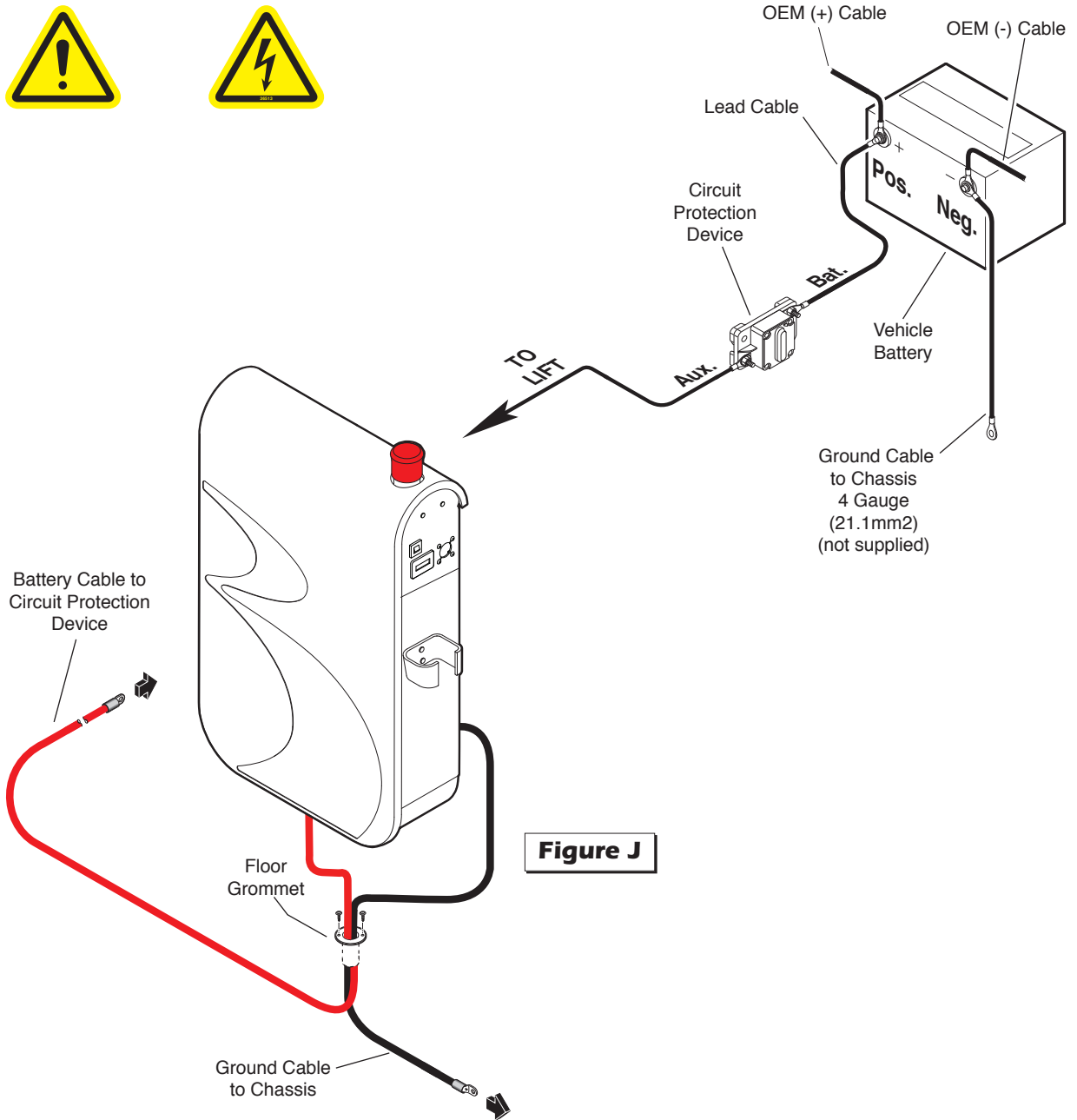


Loosen Tighten Loosen

**Figure 1**

# Lift Installation

## Attach Power and Ground Cables



**Figure J**

1. Drill 28.5mm diameter grommet access hole. Check under the vehicle for obstructions.
2. Insert grommet. Secure grommet with two self-tap screws.
3. Route ground and power cables through grommet. Route cables clear of exhaust, other hot areas and moving parts.
4. Connect ground and power cables.

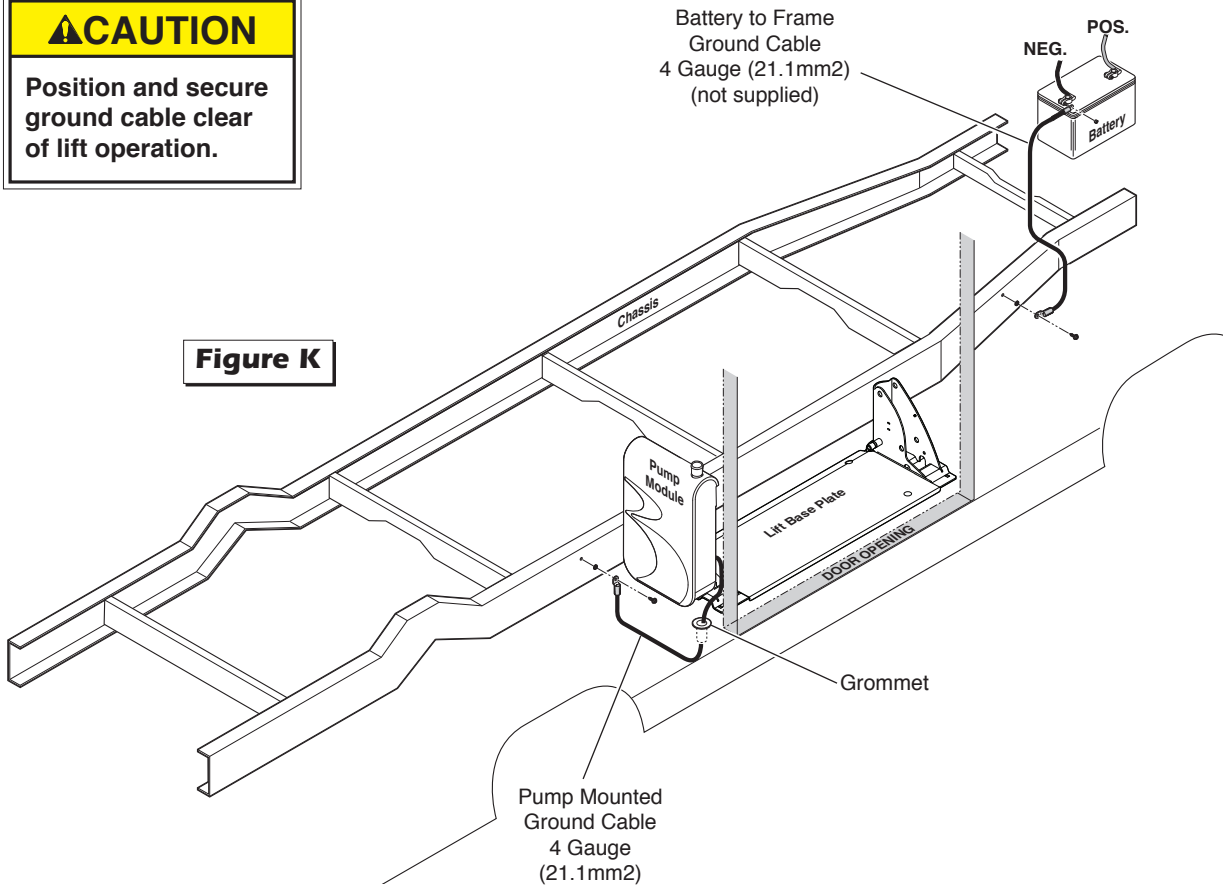
### Vehicle Battery Positive Cable:

Install in-line circuit protection device as shown in Figure J. Attach power cable and lead cable as shown.

# Lift Installation

## Attach Power and Ground Cables

**CAUTION**  
Position and secure ground cable clear of lift operation.

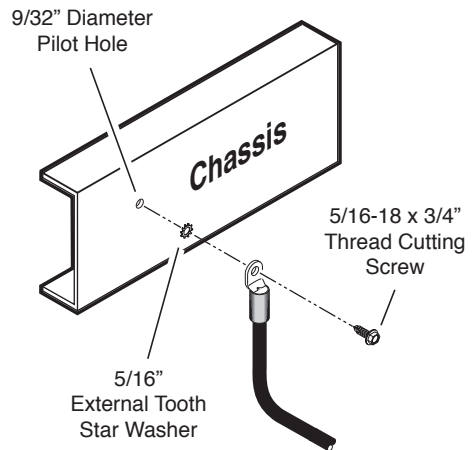


### Pump Ground Cable:

Route the pump mounted cable through the floor grommet and connect to a vehicle framing member as shown. See Figure K.

### Vehicle Battery Ground Cable:

A 4 gauge (21.1mm<sup>2</sup>) ground cable must be connected from vehicle battery negative post to the same vehicle framing member the pump ground cable is attached to. See Figure K.



Mounting Hardware Detail

**Ground Cable Corrosion:** When mounting ground cables, remove undercoating, dirt, rust, etc. from framing member around mounting holes (minimum 16mm diameter area). Apply protective coating to mounting holes to prevent corrosion. Failure to do so will void warranty of certain electrical components.

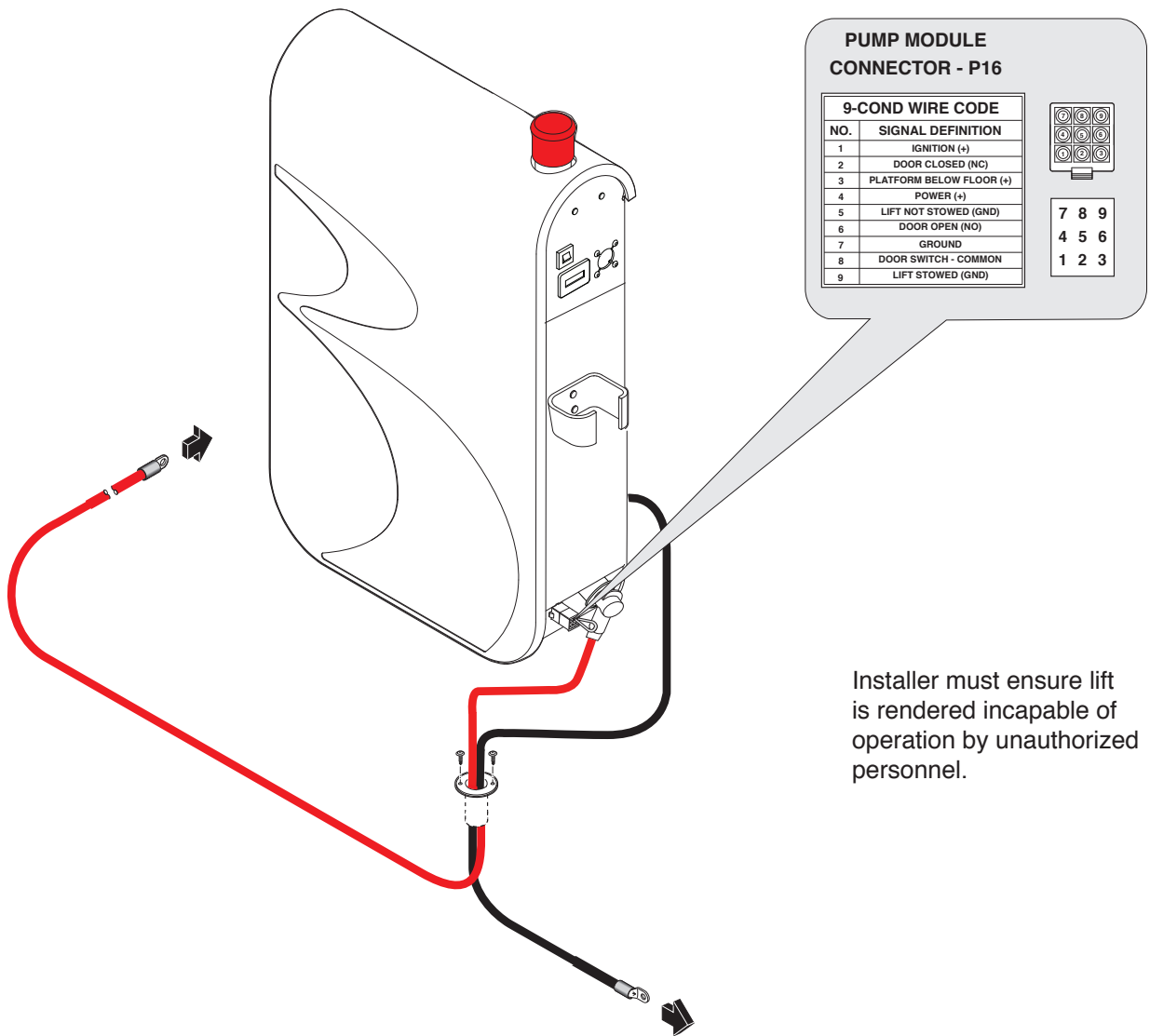
# Lift Installation

## Connect Interlocks



### Vehicle and Lift Interlocks

The pump module is equipped with a lift interface 9-circuit connector (female socket). A mating 9-circuit connector (male plug) is supplied.



Installer must ensure lift is rendered incapable of operation by unauthorized personnel.

# **Lift Installation**

## **Connect Interlocks**

### **Bridge Plate Interlock**

The Bridge Plate position is monitored when the lift platform has traveled below floor level, deactivating the Below Floor Microswitch.

When boarding the platform from the ground or vehicle, it is critical that both the Bridge Plate and wheelchair occupant are clear of the vehicle before the platform travels upward or downward. To ensure the Bridge Plate is in the upright position and clear of the vehicle, a Bridge Plate UP Switch is installed. If the Bridge Plate UP Switch is not activated (ex. The wheelchair is contacting the Bridge Plate), the pendant light will extinguish and operation of the lift is disabled. When the Bridge Plate returns to the upright position and the Bridge Plate UP Switch is activated, pendant lighting and normal lift operation will resume.

### **Lift Interlock Connection**

The lift interlock 9-Pin plug is mounted on the lower front of the pump module. Below are the functions of the pins that relate to the Auto-Tite™ Feature and Safety interlocks.

#### Interlock 9 Pin Inputs

- Pin 1 - 12V with vehicle ignition on. 0 volts when ignition is OFF.
- Pin 2 - 12V with lift door in closed position. 0 volts when lift door is OPEN.
- Pin 6 - 12V with lift door OPEN and all other interlocks made (driver's ON switch, vehicle transmission in Park, etc.). 0 volts with lift door CLOSED.

#### Interlock 9 Pin Outputs

- Pin 3 - 12V when lift is below BELOW FLOOR setting. The BELOW FLOOR Microswitch is adjusted to activate when the lift platform is below floor level. This output may be used to trigger an audible alarm, visual alarm, lift threshold barrier, or other mechanism designed to operate when the platform is not close to floor level.
- Pin 5 - Ground output when lift is outside of stow area. This output may be used to trigger an audible or visual alarm, vehicle shifter lock, or other mechanism designed to operate when the lift is outside the Stow Area. Refer to Stow Area section.
- Pin 8 - 12V with lift power switch in the ON position. This output must be used to supply voltage to the Door Switch or any other switch that will provide voltage back to Pin 6. This output may also be used to trigger an audible or visual alarm, vehicle shifter lock, or other mechanism designed to operate when the Lift Power Switch is in the ON position
- Pin 9 - Ground output when lift is inside the Stow Area. This output may be used to trigger an audible or visual alarm, vehicle shifter lock, or other mechanism designed to operate when the lift is within the Stow Area.

# **Lift Installation**

## **Auto-Tite™ Functionality**

This BraunAbility Q-Series lift has been specifically designed to provide vehicle occupants a travel experience free from lift noise. To eliminate the main source of lift noise, loss of hydraulic pressure, lift is equipped with Auto-Tite™ functionality. The Auto-Tite™ system is designed to ensure the lift is under high hydraulic pressure every time the vehicle is started.

### Requirements for enabling Auto-Tite™ system

- Vehicle interlocks properly connected
- Lift power switch in the ON position

### Requirements for activating Auto-Tite™ system

- Vehicle ignition in the ON position (12V supplied to Pin 1)
- Lift door closed (12V supplied to Pin 2)
- Lift is within the stow area. Refer to Stow Area section
- Pump mounted pressure switch is closed (system pressure below 10.4 MPA - 1500 PSI)

When the above conditions are met, the Auto-Tite™ Board will turn on the hydraulic pump approximately 5 seconds after the ignition signal is received. The delay is to avoid vehicle battery supplying current to the vehicle starter and lift at the same time.

When the above conditions are met, the pump motor will run for a maximum of approximately ten seconds. The time limit is to avoid a pump running continuously in the event the pump is unable to pressurize the system.

The hydraulic pump will turn off when high system pressure is achieved and the pressure switch opens (system pressure is at or above 10.4 MPA - 1500 PSI).

Auto-Tite™ will pressurize system at vehicle startup only.

## Lift Installation

### Stow Area

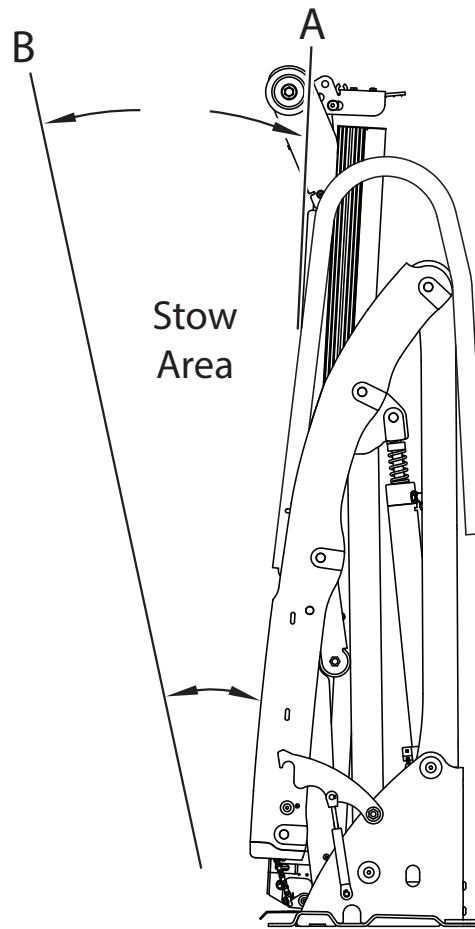
Stow Area is the area of platform movement between a fully stowed platform and the point the platform lights turn on/off.

Platform lights will turn on when the Tower 3 microswitch is deactivated and off when activated.

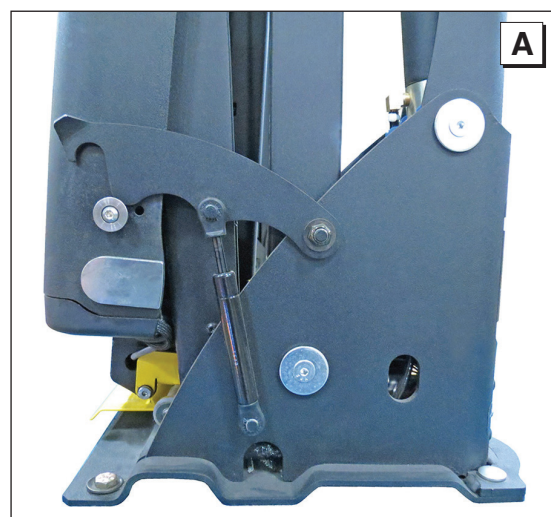
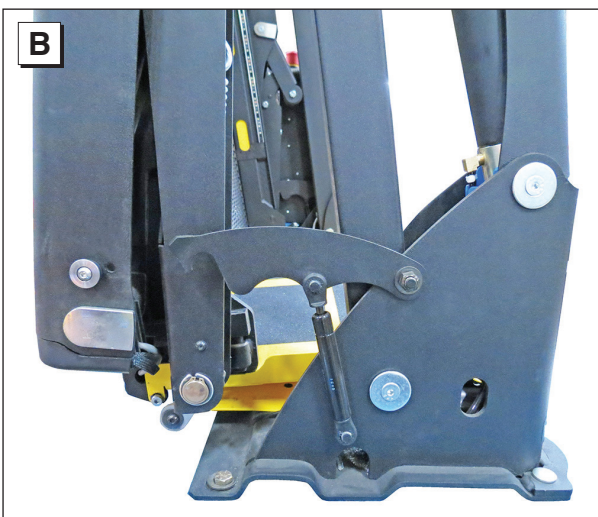
Stow Area is also referenced throughout the manual for its role in the Auto-Tite™ feature and interlocks. Stow Area is factory set and should not need adjusted. If adjustment is necessary, see Tower Microswitch Adjustment section.

A - At point A, platform is fully stowed. See Figure 1 and Photo A.

B - At point B, platform lights will turn on while deploying platform and turn off while stowing platform. See Figure 1 and Photo B.



**Figure 1**





# Lift Installation

## Platform Angle Adjustment



### Lowering Sequence Requirements

1. The outboard end (toe) of the platform must contact the ground first to ensure the spring-loaded outer barrier unfolds fully. See Figure C.
2. The inboard end (heel) of the platform must lower fully (vertical channels must contact ground when fully lowered). See Figure C.

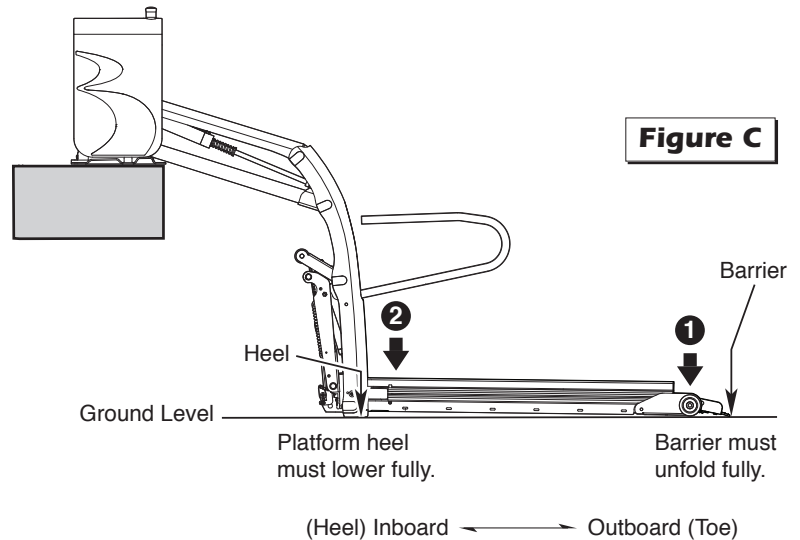


Figure C

The angle of the platform at ground level directly affects the angle of the platform when positioned at floor level.

Raise the platform to floor level. Note the angle of the platform.

The platform at floor level should have a zero degree angle in reference to the ground as shown in Figure D.

Adjust platform angle as detailed below.

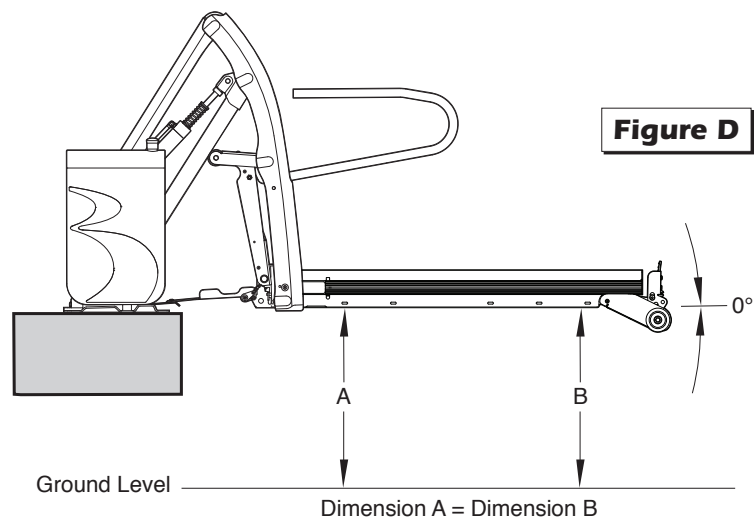


Figure D

### Adjustment Procedure:

Platform angle adjustment Allen screws are provided on each side of the platform (see photo at right).

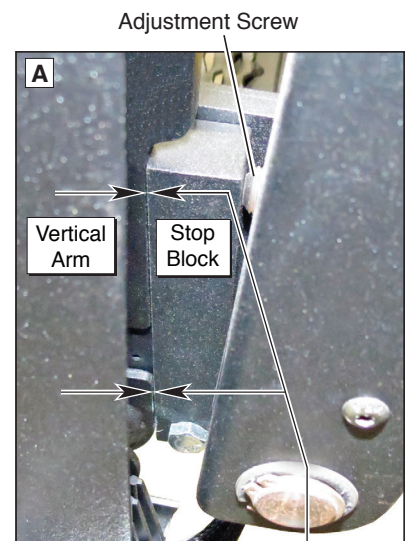
Turn adjustment screws clockwise to raise the outboard end of the platform. Turn adjustment screws counterclockwise to lower the outboard end of the platform.

Both adjustment screws must be adjusted equally.

**Platform Stop Blocks:** When adjusting platform angle, ensure both stop blocks are making full contact with the vertical arms (see photo at right).

### Floor Level Adjustment:

Following platform angle adjustment, set platform floor level positioning as detailed in Tower Micro-switch Adjustment. Check platform angle again after performing Tower Microswitch Adjustment procedures.



Stop blocks must make full contact.

## Lift Installation

### Roll Stop Anti-Rattle Adjustment

1. Mount bumper into slot in roll stop using 5/16-18 X 1/2" screw and 3/8" star washer. Refer to Figures G through I. Typical both sides.

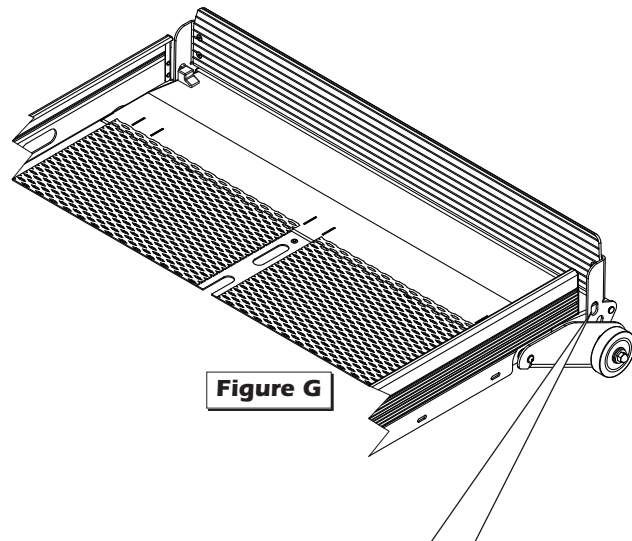


Figure G

2. Pull outward on roll stop and push bumper downward against platform surface (oval slot provides adjustment). Tighten securely. Test for rattle and adjust as needed. Typical both sides.

Note: Roll stop latch feet must drop completely to bottom of curved slots in roll stops to ensure proper latching.

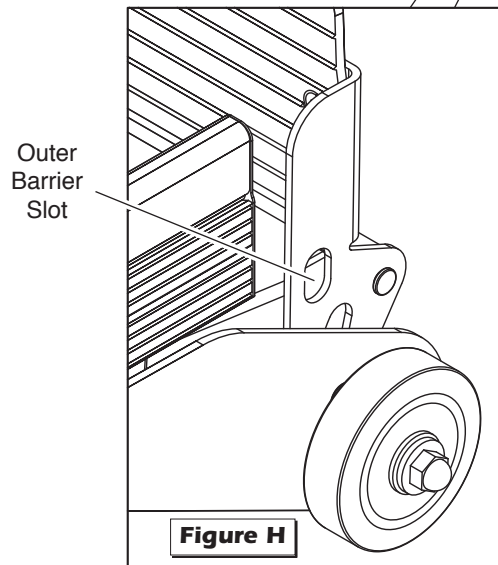


Figure H

3. Verify proper latching operation on both right and left sides of roll stop.

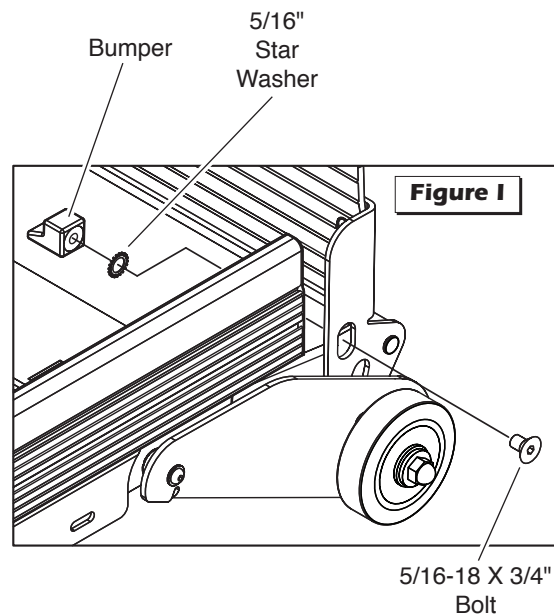
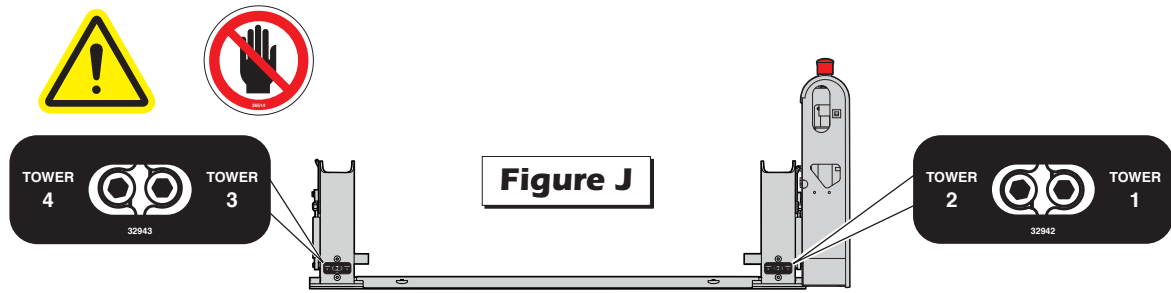


Figure I

5/16-18 X 3/4"  
Bolt

# Lift Installation

## Tower Microswitch Adjustment



Review adjustment procedures below and adjust as needed only.

Left (rear) pump lift depicted. Right (front) pump lift is a mirrored image.

If platform does not unfold completely to floor level there are two Tower switches that can affect the stopping point. If after releasing and pressing UNFOLD / DOWN switch, the lift continues to unfold, Tower 1 switch needs to be adjusted. If there is no lift action, Tower 4 microswitch needs to be adjusted before adjusting Tower 1.

Turn Tower 4 microswitch adjustment screw clockwise while pressing pendant UNFOLD / DOWN switch. Once platform reaches the Floor Level setting, release and press UNFOLD / DOWN switch to continue adjustment. Temporarily adjust platform until it is below floor level where bridge plate is fully up. Tower microswitches can now be adjusted in order of 1 thru 4.

### Tower 1 - Unfold Switch Adjustment

Floor Position from Stow

1. Position platform at the fully stowed position using the manual hand pump or pendant control.
2. Press pendant UNFOLD / DOWN switch (continue pressing switch after platform stops unfolding). Platform stops down travel when Tower 1 microswitch is deactivated.
3. Continue to press the pendant UNFOLD / DOWN switch and turn microswitch adjustment screw the following direction:

Counterclockwise - raises platform height and increases amount bridge plate overlaps base plate cover.

Clockwise - lowers platform height and decreases amount bridge plate overlaps base plate cover.

4. Raise platform to fully stowed position and press pendant UNFOLD / DOWN switch (continue pressing switch until platform stops unfolding) to test microswitch position setting every time microswitch is adjusted.

5. Repeat adjustment until criteria below is met.

Proper Adjustment Criteria:

- Bridge plate should rest on base plate cover and should overlap a minimum 25 mm (1 in). See Photo E.
- Both stop blocks are making full contact with vertical arm. See Photos A & B.

### Tower 2 - Up Switch Adjustment

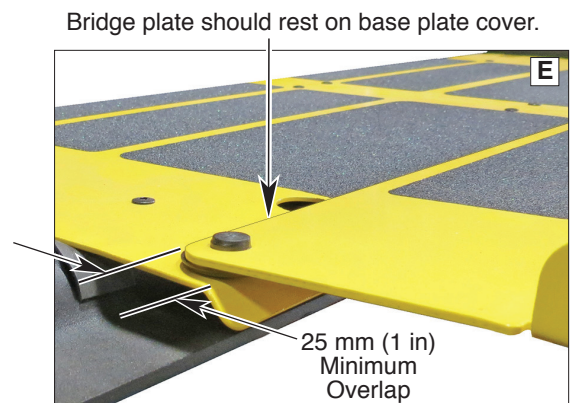
Floor Position from Below Floor

1. Lower platform a minimum of 15.25 cm (6 in) below floor level position using the manual hand pump or pendant control.
2. Press pendant UP / FOLD switch (continue pressing switch after platform stops up travel). Platform stops up travel when Tower 2 microswitch is activated.
3. Continue to press the pendant UP / FOLD switch and turn microswitch adjustment screw the following direction:

Counterclockwise - raises platform height and increases amount bridge plate overlaps base plate cover.

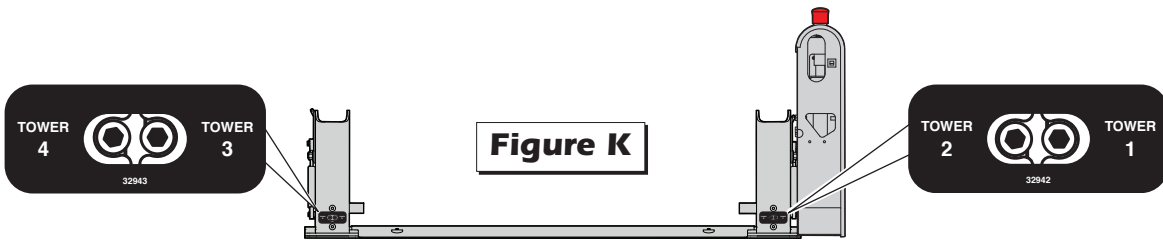
Clockwise - lowers platform height and decreases amount bridge plate overlaps base plate cover.

4. Adjust platform to meet criteria listed for Tower 1 Switch "Proper Adjustment Criteria".



# Lift Installation

## Tower Microswitch Adjustment



Review adjustment procedures below and adjust as needed only.

Left (rear) pump lift depicted. Right (front) pump lift is a mirrored image.

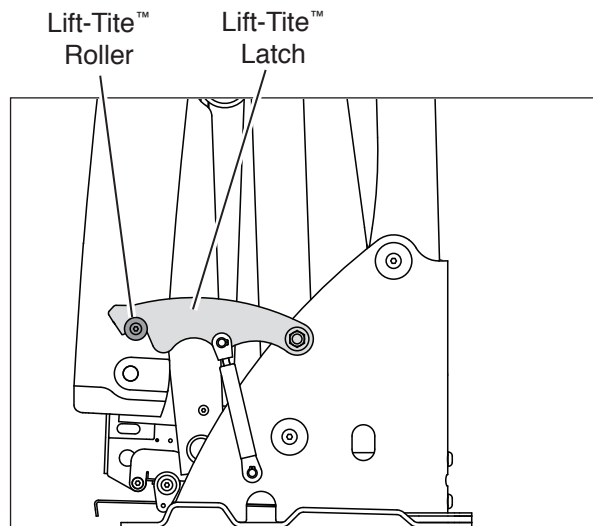
**⚠ WARNING**

**Improper microswitch adjustment may result in serious bodily injury and/or property damage.**

### Tower 3 - Stow Area Switch Adjustment

Setting platform lighting on/off position.

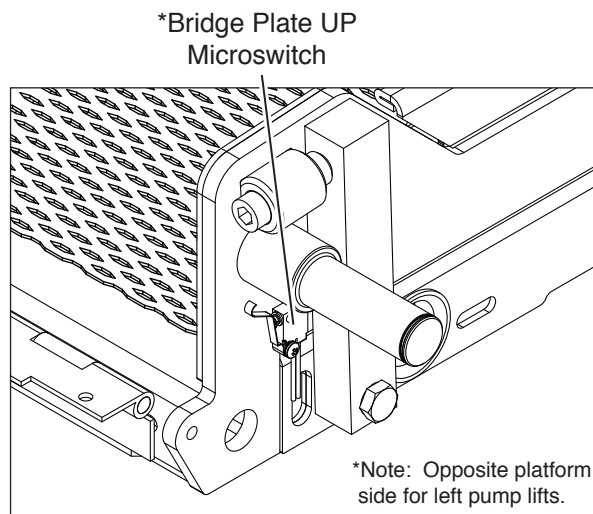
1. Fully stow platform using the pendant control.
2. Slightly open the manual hand pump release valve so that the platform unfolds slow enough that the Lift-Tite™ latch fully engages the roller. See Figure L.
3. Slowly turn Tower 3 microswitch adjustment screw clockwise (if lights are on) until the platform lights turn off. Platform lights turn off when microswitch is activated. If lights are off, turn screw counterclockwise to just before they turn on.
4. Once lights are off, turn adjustment screw 2 full turns clockwise.



**Figure L**

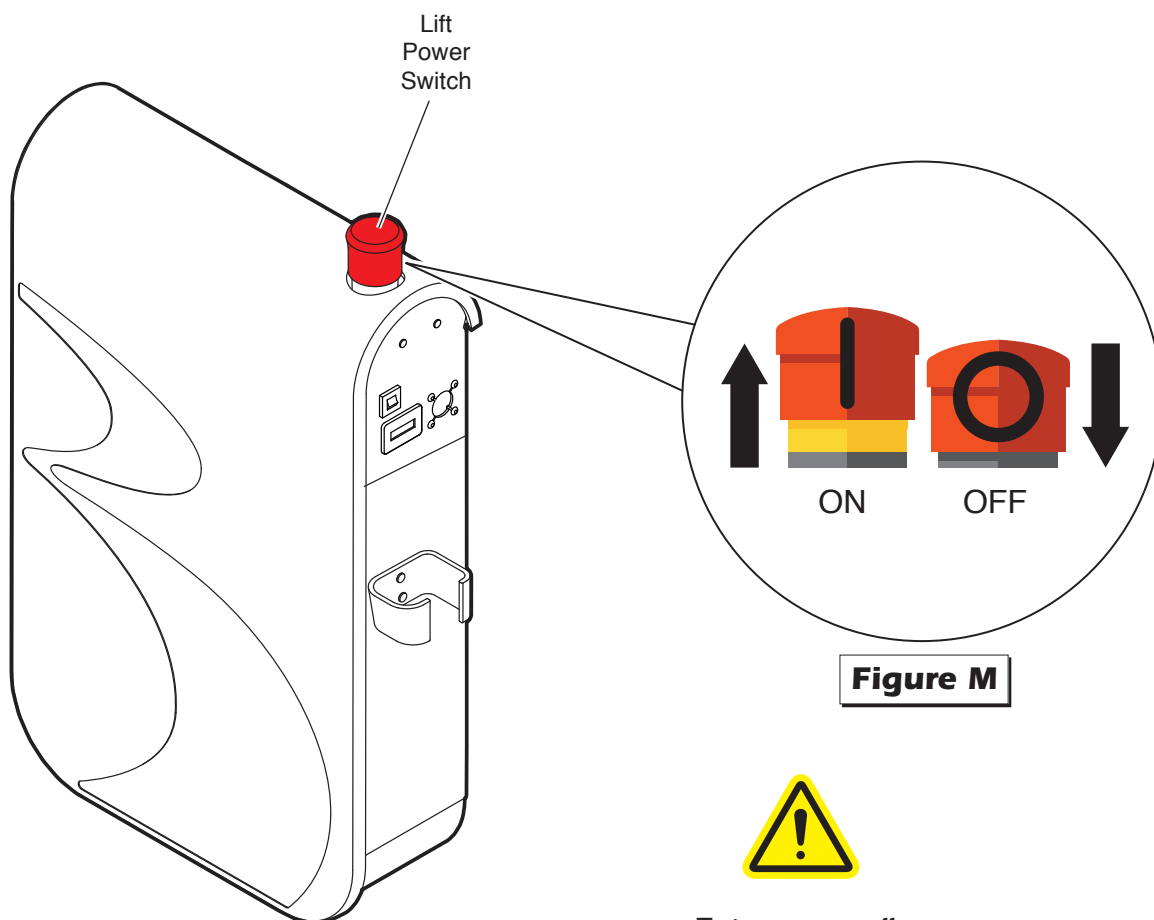
### Tower 4 - Below Floor Switch Adjustment - Bridge Plate Up verification

1. Position platform at floor level using pendant control.
2. Lower platform at least 6" (15 cm) so that bridge plate contacts Bridge Plate UP switch. See Figure M.
3. Turn Tower 4 microswitch adjustment screw counterclockwise 2 turns.
4. Press pendant FOLD / UP switch until platform raises and stops before floor level. If platform travels to floor level, lower platform below 6" and give Tower 4 microswitch adjustment screw 1 turn counterclockwise.
4. Press and hold pendant FOLD / UP switch and turn Tower 4 microswitch adjustment screw clockwise until Bridge Plate lays flat on base plate.
5. Turn Tower 4 microswitch adjustment screw an additional 1/2 turn.
6. Test setting by repeating step 2 and verify platform raises to floor level without hesitation.



**Figure M**

## Lift Power Switch Operating Instructions



**Figure M**

To turn power off:

1. Push button down.

Yellow base of switch is covered.  
See Figure M.

To turn power on:

1. Pull button up.

Yellow base of switch is shown.  
See Figure M.



## Hand Control Pendant Illumination

The main control board located inside pump module has a two position switch that enables two different settings for hand control pendant illumination.

### Lift Interlocked with Vehicle

#### Switch Position A

With the lift power switch in the ON position, lift door open, and all other interlocks made, the hand pendant and platform lighting will turn on and off automatically, at the same time, when lift is deployed or stowed into the stow area.

#### Switch Position B

With the lift power switch in the ON position, lift door open, and all other interlocks made, the hand pendant will illuminate. Platform lighting will turn on and off automatically when lift is deployed or stowed into the stow area.

Note: In both configurations, the lift power switch may be left in the ON position at all times.

Note: Switching lift power switch to the OFF position will remove all power to lift. Additionally, switching lift power switch to the OFF position will disable the Auto-Tite™ feature.

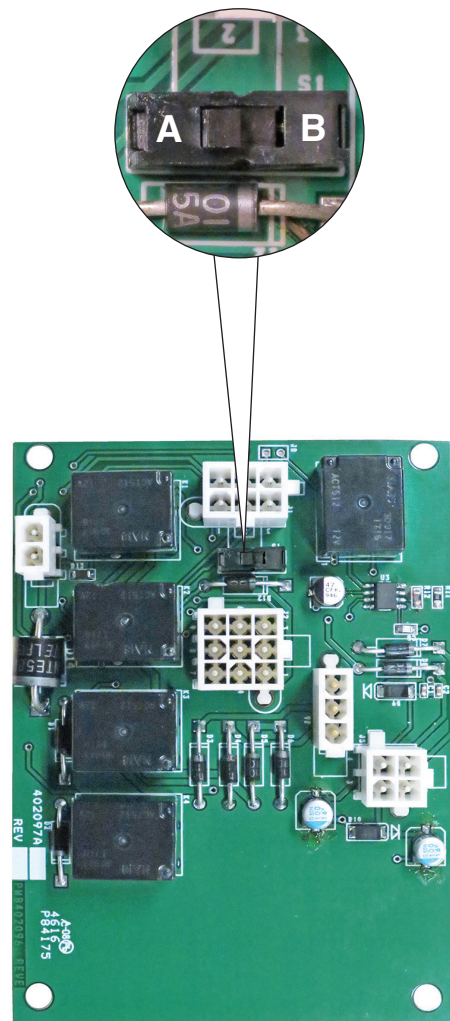
### Lift Not Interlocked with Vehicle

#### Switch Position A

With lift power switch in the ON position, the hand pendant lighting and platform lighting will automatically turn on and off, at the same time, when lift is deployed or stowed into the stow area. In this configuration, the lift power switch may be left in the ON position at all times.

#### Switch Position B

With lift power switch in the ON position, the hand pendant lighting will illuminate. Platform lighting will automatically turn on and off when lift is deployed or stowed into the stow area. In this configuration, the lift power switch must be placed in the OFF position when not operating the lift.



Main Control Board

# Installer Verification

## Compatibility between the lift and the vehicle

The installer shall confirm the compatibility between the lift and the vehicle.

## Static Test

### Deformation

The unladen platform is positioned mid-way between ground level and vehicle floor level and measurements are taken of the height of the platform and its angular attitude relative to the vehicle floor.

A load of 500 kg is applied to the platform and subsequently removed.

By repeating measurements of the height and attitude of the platform, verify that no permanent deformation has occurred in any part of the lift or its attachment to the vehicle which could affect the function of the lift.

### Drift

A load of 500 kg is applied to the platform, positioned at floor level. Measurements are taken of the height of the platform and its angular attitude relative to the vehicle floor. These measurements are repeated after a 15 minute test period.

Verify that the vertical drift of the platform between the two measurements has not exceeded 15mm.

Verify that the angular drift of the platform between the two measurements has not exceeded 2°.

## Test to Verify that the Lift Cannot Lift Excessive Load

A load of 440 kg is applied to the platform, positioned at ground level. Actuate the UP control and verify that the platform does not lift (tilt is permissible).

1. Lower platform to the ground.
2. Place 440 kg at center of platform.
3. Press UP switch and verify platform does not lift (tilt is permissible).
4. If platform does not lift, proceed to Dynamic Test. If platform does lift, proceed to step 5, PLATFORM UP relief valve adjustment is necessary.
5. Access PLATFORM UP relief valve (see illustration on following page). Loosen 9/16" hex nut on the relief valve adjustment screw (do not remove hex nut).
6. Turn adjustment screw counterclockwise 1/8 turn.
7. Press UP switch and verify platform does not lift (tilt is permissible).
8. If platform does not lift, tighten 9/16" hex nut (do not turn relief valve adjustment screw while tightening hex nut). If platform does lift, repeat steps 6 through 8

# Installer Verification

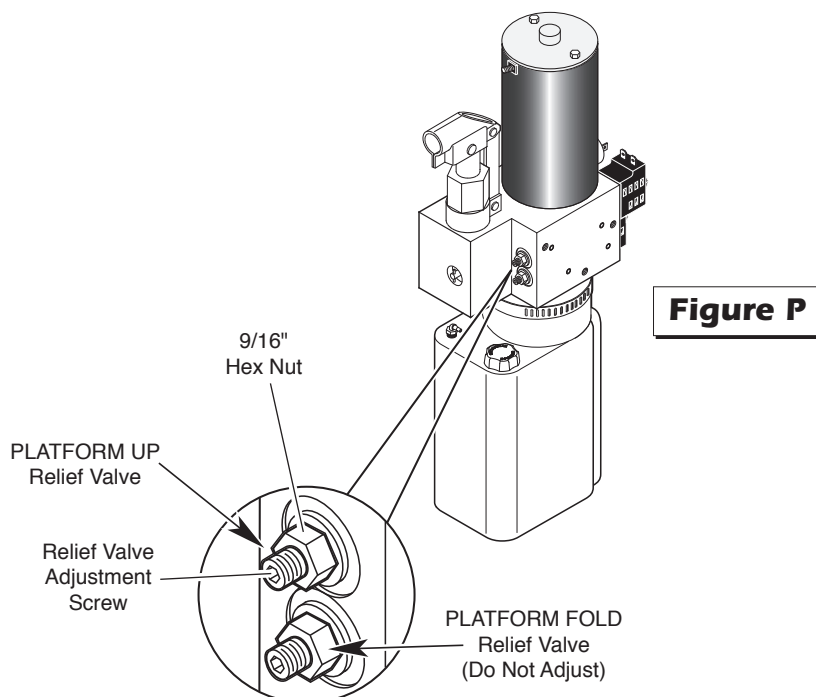
## Dynamic Test

With 400 kg applied to the platform, verify that the lift is able to operate throughout its full range of normal lifting and lowering.

1. Lower platform to the ground.
2. Place 400 kg at center of platform.
3. Verify lift is able to operate throughout its full range of normal lifting and lowering movements.
4. If platform is able to operate throughout its full range of normal lifting and lowering movements, no adjustment is necessary. If platform does not lift, proceed to step 5, PLATFORM UP relief valve adjustment is necessary.
5. Access PLATFORM UP relief valve (see Figure P). Loosen 9/16" hex nut on the relief valve adjustment screw (do not remove hex nut).
6. Turn adjustment screw clockwise 1/8 turn.
7. Verify lift is able to operate throughout its full range of normal lifting and lowering movements.
8. If lift does not operate throughout its full range, repeat steps 6 through 8. If lift does operate throughout its full range, tighten 9/16" hex nut (do not turn relief valve adjustment screw while tightening hex nut).
9. Repeat the "Test to Verify that the Lift Cannot Lift Excessive Load" on previous page.

## Test of Operations and Safety Functions

All functions of the lift and operations of all safety devices are verified after the static and dynamic tests have been completed. These tests do not apply to pipe break valves nor non-resettable safety devices such as electrical fuses (These items are the subject of a manufacturer's type test).





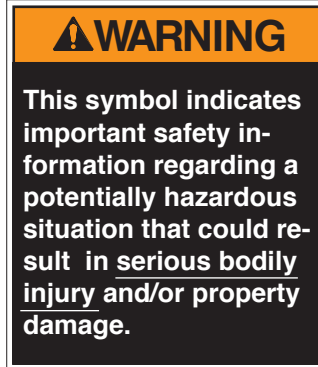
# Lift Operation Safety

## Safety Symbols

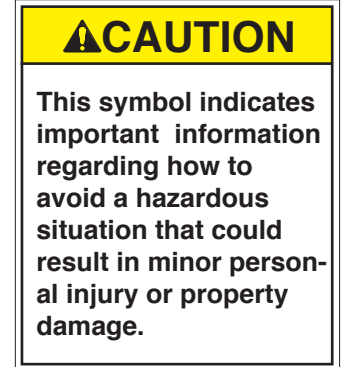
**SAFETY FIRST!** Know That....

**A** The information contained in this manual and supplements (if included), is provided for your use and safety. Familiarity with proper installation, operation, maintenance and service procedures is necessary to ensure safe, trouble free lift operation. Safety precautions are provided to identify potentially hazardous situations and provide instruction on how to avoid them.

**B**



**C**



**D**

**NOTICE**

Additional information provided to help clarify or detail a specific subject.

**E**



This symbol indicates that there are dangerous energy levels present inside the enclosure of this product. To reduce the risk of fire or electric shock, do not attempt to open the enclosure or gain access to areas where you are not instructed to do so. Refer servicing to qualified service personnel only.

**F**



This symbol indicates that a condition where damage to the equipment resulting in injury to the operator could occur if operational procedures are not followed. To reduce the risk of damage or injury, refer to accompanying documents, follow all steps or procedures as instructed.

**G**



This symbol indicates that a condition where injury or damage could occur if contact is made with the hot surface.

**H**



This symbol indicates an area to avoid bodily contact to prevent injury.

**I**



This symbol indicates the presence of high pressure hydraulic hoses. Use appropriate personal protective equipment when working on hydraulic system.

**J**



This symbol indicates the presence of a fire hazard. Avoid open flames or sparks when working with flammable materials to prevent injury or damage.

**K**



This symbol indicates a device weighs in excess of 139kg (306 lbs). Use of a fork lift or hoist is required.

These symbols will appear throughout this manual as well as on the labels posted on your lift. **Recognize the seriousness of this information.**

# Lift Operation Safety

## Lift Operation Safety Precautions

### **⚠️ WARNING**

If the lift operating instructions, manual operating instructions and/or lift operation safety precautions are not fully understood, contact BraunAbility immediately. Failure to do so may result in serious bodily injury and/or property damage.

- ⚠️ WARNING** Read manual and supplement(s) before operating lift. Read and become familiar with all safety precautions, operation notes and details, operating instructions and manual operating instructions before operating the lift.
- ⚠️ WARNING** Load and unload on level surface only.
- ⚠️ WARNING** Engage vehicle parking brake before operating lift.
- ⚠️ WARNING** Provide adequate clearance outside the vehicle to accommodate the lift before opening lift door(s) or operating lift.
- ⚠️ WARNING** Inspect lift before operation. Do not operate lift if you suspect lift damage, wear or any abnormal condition.
- ⚠️ WARNING** Do not use as a link bridge.

- ⚠️ WARNING** Keep operator and bystanders clear of area in which the lift operates.
- ⚠️ WARNING** Lift attendant must observe passenger at all times during lift operation.
- ⚠️ WARNING** Ensure adequate lighting exists in the lift operating area.
- ⚠️ WARNING** Whenever a wheelchair passenger (or standee) is on the platform, the:
  - Passenger must be positioned fully inside yellow boundaries facing outward.
  - Wheelchair brakes must be locked
  - Bridge plate and roll stop must be up (vertical)
  - Roll Stop latch must be fully engaged
  - Passenger should grip both handrails (if able).
- ⚠️ WARNING** Wheelchair lift attendants should be instructed on any special needs and/or procedures required for safe transport of wheelchair passengers.
- ⚠️ WARNING** Load and unload clear of vehicular traffic.
- ⚠️ WARNING** Do not attempt to load or unload a passenger in a wheelchair or other apparatus that does not fit on the platform area.
- ⚠️ WARNING** The lift attendant shall not ride on the platform with the passenger. The lift is intended for use by a single passenger.
- ⚠️ WARNING** Do not overload or abuse. The load rating applies to both the raising and lowering functions.
- ⚠️ WARNING** Use caution when operating this equipment out of doors during electrical storms or similar electrical phenomena.
- ⚠️ WARNING** Use caution when operating this equipment in severe weather or environmental conditions (fog, rain, snow, ice, dust, etc.)
- ⚠️ WARNING** Discontinue lift use immediately if any lift or vehicle interlock does not operate properly.
- ⚠️ WARNING** Do not operate or board the lift if you or your lift operator are intoxicated.

## Lift Operation Safety

- ⚠WARNING** Do not raise front wheelchair wheels (pull wheelie) when loading, boarding, or riding on the platform.
- ⚠WARNING** Open lift door(s) fully and secure before operating lift.
- ⚠WARNING** Position and secure (buckle, engage, fasten, etc.) the wheelchair-equipped occupant seat belt (torso restraint) before loading onto the wheelchair lift platform.
- ⚠WARNING** Lift attendants must ensure that lift occupants keep hands, arms and all other body parts within the lift occupant area and clear of moving parts.
- ⚠WARNING** Platform must be positioned at floor level (bridging position) when loading or unloading in and out of vehicle.
- ⚠WARNING** Do not use platform bridge plate or roll stop as a brake. Stop and brake wheelchair when loading onto the platform (manually stop and brake manual wheelchairs — stop powered wheelchairs with the wheelchair controls).
- ⚠WARNING** Turn powered (electric) wheelchairs off when on lift platform.
- ⚠WARNING** Press the DOWN switch until the entire platform rests on ground level (lowered fully) and the roll stop is fully unfolded (ramp position) before loading or unloading a passenger at ground level.
- ⚠WARNING** Roll stop must be fully unfolded (ramp position) until front and rear wheelchair wheels cross the barrier when loading or unloading at ground level.
- ⚠WARNING** Accidental activation of control switch(es) may cause unintended operation(s).
- ⚠WARNING** Maintenance and lubrication procedures must be performed as specified in this manual by authorized (certified) service personnel.
- ⚠WARNING** Replace missing, worn or illegible decals.
- ⚠WARNING** Never modify (alter) a BraunAbility lift.
- ⚠WARNING** Do not use accessory devices not authorized by BraunAbility.
- ⚠WARNING** Do not remove any guards or covers.
- ⚠WARNING** Keep clear of any hydraulic leak.
- ⚠WARNING** Failure to follow these safety precautions may result in serious bodily injury and/or property damage.

## Lift Operating Instructions



Before lift operation, park the vehicle on a level surface, away from traffic. Place the vehicle transmission in “Park” and engage the parking brake. Vehicle engine must be running.

Lift Operating Instructions address operation of the lift only.

Vehicle Doors and Vehicle Interlocks: Transit vehicle lift doors and interlocks vary. Procedures to operate them vary also. Lift operators

(attendants) must become familiar with the vehicle lift access door system and vehicle interlock(s).

Manual Door(s): Open manual doors fully and secure in full open position before operating the lift.

Do not operate the lift if you suspect lift damage, wear, or any abnormal condition. Refer to the Manual Operating Instructions to manually operate lift.

**Lift Power ON/OFF Switch:** This switch must be in the ON position in order to activate the lift.

**Hand-held Pendant Control:** The hand-held attendant’s pendant control is equipped with a single rocker switch.

### Control Switch Functions:



#### UP / FOLD

From ground level, the UP function will raise (rotate) the roll stop to the vertical position. The platform then raises to and stops at floor level position.

Pressing UP/FOLD From floor level, the FOLD function folds the platform inward to the stowed position.

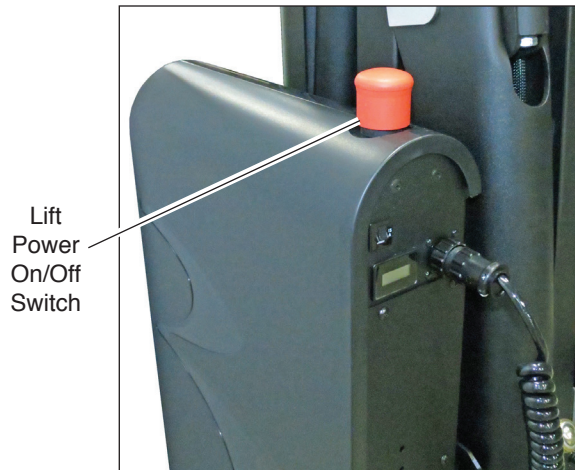


#### DOWN / UNFOLD

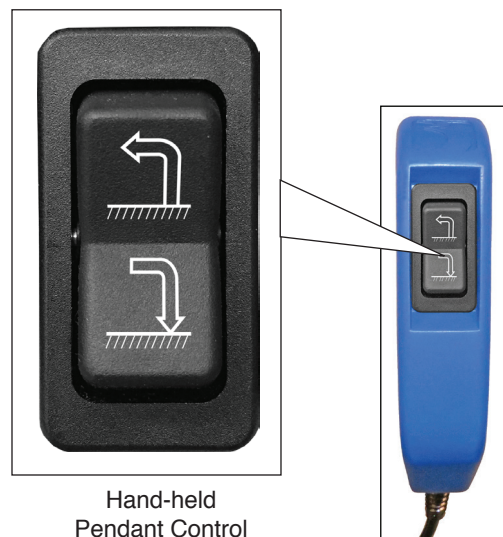
From stowed position, the UNFOLD function unfolds the platform outward to and stops at the floor position.

Pressing DOWN/UNFOLD from floor level lowers the platform to ground level and then unfolds (lowers) the roll stop to the ramp (horizontal) position.

Note: If any functions do not occur as described, discontinue lift use immediately.



Lift Power On/Off Switch



Hand-held Pendant Control

# Lift Operating Instructions

Before lift operation, park on a level surface, away from vehicular traffic. Place the vehicle

transmission in "Park" and engage the parking brake. Vehicle engine must be running. Refer


to the Manual Operating Instructions to manually operate lift.




## OPEN DOOR(S) AND SECURE



## TO UNFOLD PLATFORM:

Stand clear and press the  DOWN/UNFOLD switch until the platform stops (reaches floor level - unfolds fully). Release switch.

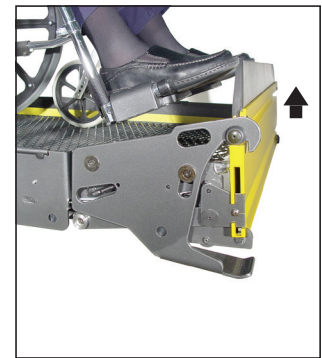


Notice: In event platform does not unfold, press  UP/FOLD switch to release Lift-Tite™ latches.

## TO UNLOAD PASSENGER:




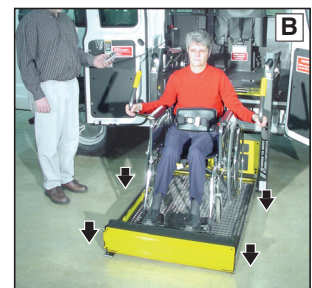
1. Read Notice below! Load passenger onto platform and lock wheelchair brakes.



Notice: Passenger must be positioned fully inside yellow boundaries, roll stop must be UP, and roll stop latch must be engaged.



2. Press  DOWN/UNFOLD switch until the entire platform reaches ground level (see Photo B) and the roll stop unfolds fully (ramp position). See Photo C. Release switch.

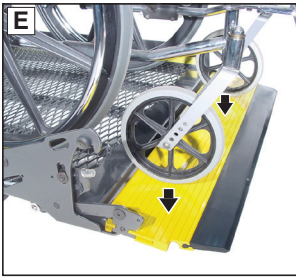


3. Unlock wheelchair brakes and unload passenger from platform.

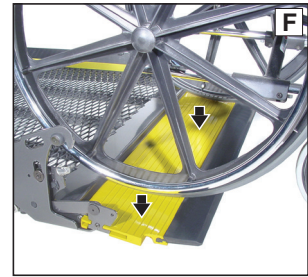




# Lift Operating Instructions



Notice: Roll stop must be fully unfolded (ramp position) until the entire wheelchair (or standee) has crossed the roll stop. See Photos E and F.



## TO LOAD PASSENGER:

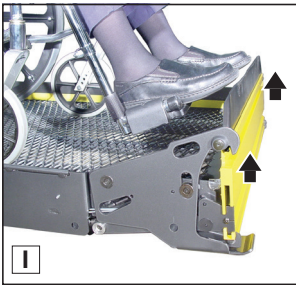



1. Read Notices below! Load passenger onto platform and lock wheelchair brakes. See Photo G.

Notice: Roll stop must be fully unfolded (ramp position) until the entire wheelchair (or standee) has crossed the roll stop. See Photos E and F.



Notice: Passenger must be positioned fully inside yellow boundaries.




2. Press  UP/FOLD switch (Photo H) to fold roll stop UP fully (vertical - see Photo I), and raise the platform to floor level. See Photo J. Release switch.



3. Unlock wheelchair brakes and unload passenger from platform.

## TO FOLD PLATFORM:

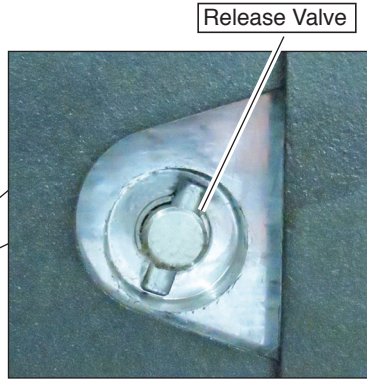
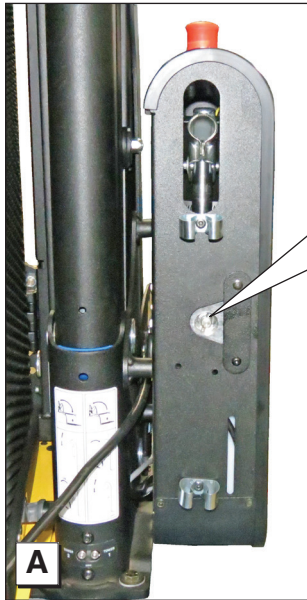


Press  UP/FOLD (In) switch until platform stops (fully folded). See Photos K and L. Release switch

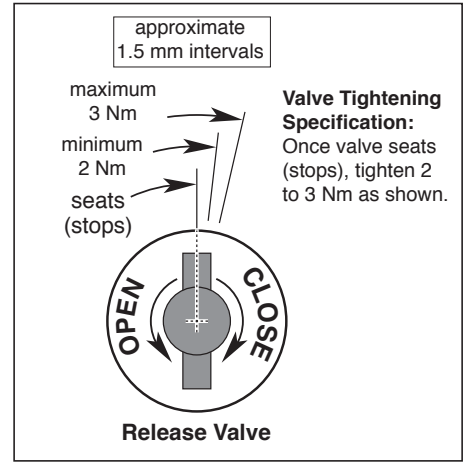
## CLOSE DOOR(S)



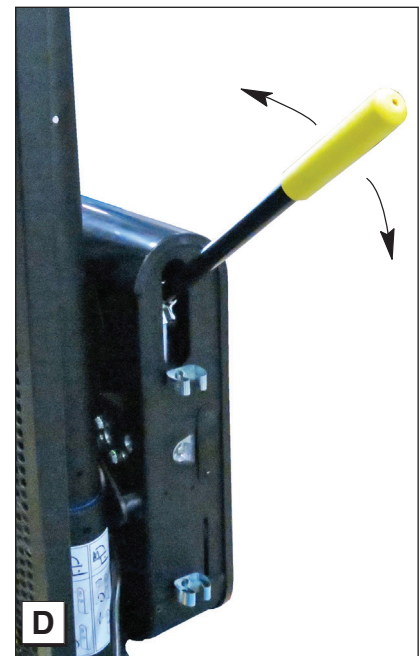
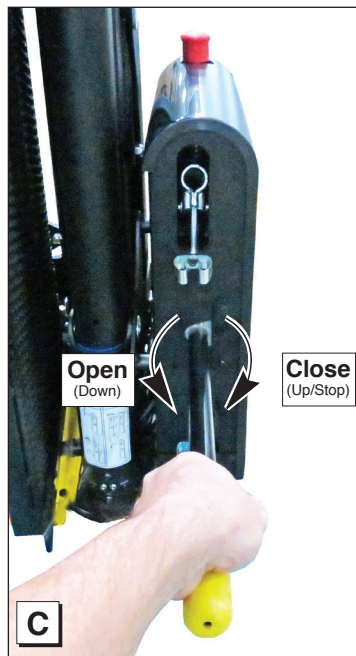
# Manual Operating Instructions



Notice: Close backup pump release valve securely before operating electric pump.

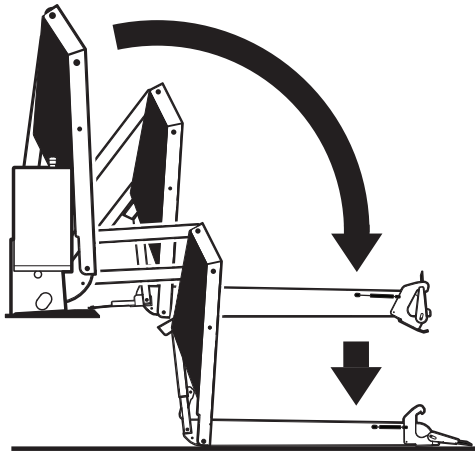


Hand Pump Handle



Notice: Bridge plate and roll stop automatically function during manual operations.

## Manual Operating Instructions



### To Unfold Platform (Out):

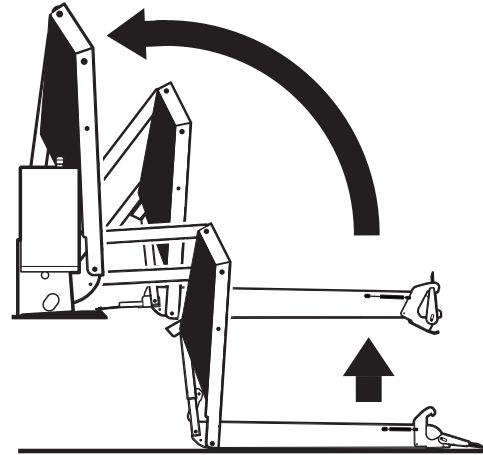
Using hand pump handle (Photo B):

1. Close hand pump valve (place slotted end of pump handle onto release valve and turn clockwise). See Photo C.
2. Insert handle in pump and stroke until platform folds fully (stops). See Photo D.
3. Open hand pump valve (turn counterclockwise) until platform reaches floor level. Open 1/4 turn only.
4. Close hand pump valve (turn clockwise).

Notice: Valve must be tight, but do not overtighten.

### Down (To Lower):

Place slotted end of pump handle onto release valve and turn counterclockwise (open 1/4 turn only) until the platform reaches ground level and the roll stop unfolds. See Photo C.



### Up (To Raise):

Using hand pump handle:

- a. Place slotted end of pump handle onto release valve and turn clockwise to close securely. See Photo C.

Notice: Valve must be tight, but do not overtighten.

- b. Insert handle into back-up pump and stroke until platform reaches floor level (see Photo D).

### To Fold Platform (In):

Insert handle in pump and stroke until platform stops (folds fully). See Photo D.

Notice: Close release valve securely before operating electric pump. Store pump handle in clamps shown in Photo B.



## Maintenance and Lubrication



Proper maintenance is necessary to ensure safe, trouble free lift operation. Inspecting the lift for any wear, damage or other abnormal conditions should be a part of the transit agency daily service program. Simple inspections can detect potential problems.

Park vehicle on a level surface clear of traffic and bystanders. Place vehicle transmission in “Park” and engage parking brake. Deploy lift to ground level. Provide adequate work space around fully-deployed lift. Perform specified maintenance and lubrication procedures (position lift as required).

**Pump Module:** When cleaning the exterior of the pump module, first disconnect the unit from its power source. Do not use liquid cleaners, aerosols, abrasive pads, scouring powders or solvents, such as benzine or alcohol. Use a soft cloth lightly moistened with a mild detergent solution. Ensure the surface cleaned is fully dry before reconnecting power.

**Other Components:** Clean components and the surrounding area before applying lubricants. Clean only with mild detergent and water. Do not clean with solvents. Allow the lift to dry thoroughly and apply lubricants as specified after every cleaning.

LPS2 General Purpose Penetrating Oil is recommended where Light Oil is called out. Use of improper lubricants can attract dirt or other contaminants which could result in wear or damage to

components. Platform components exposed to contaminants when lowered to the ground may require extra attention.

Perform maintenance and lubrication procedures at the scheduled intervals according to the number of cycles.

When servicing the lift at the recommended intervals, inspection and lubrication procedures specified in the previous sections should be repeated.

These intervals are a general guideline for scheduling maintenance procedures and will vary according to lift use and conditions. Lifts exposed to severe conditions (weather, environment, contamination, heavy usage, etc.) may require inspection and maintenance procedures to be performed more often than specified.

Records of maintenance and service procedures should be maintained.

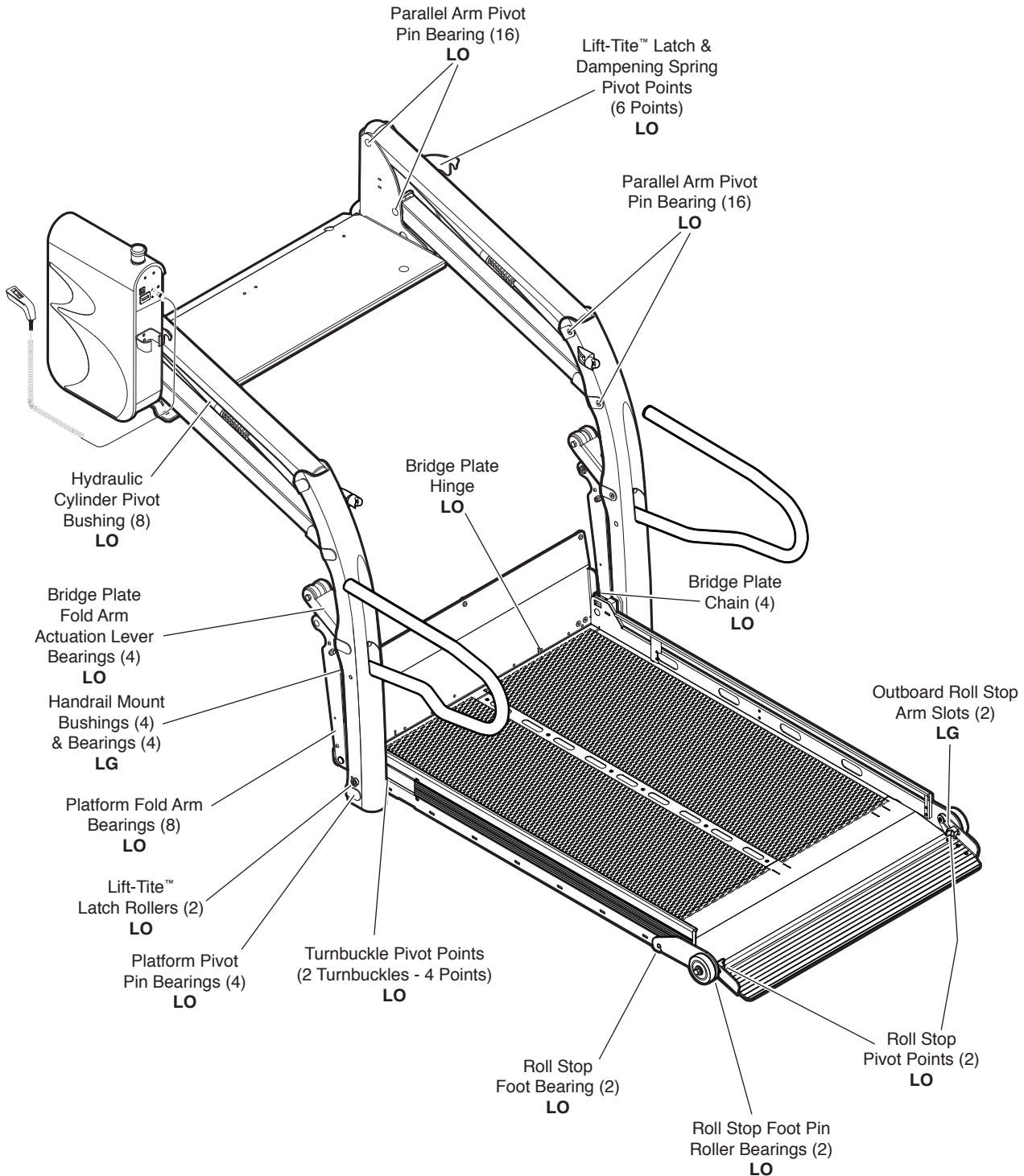
Discontinue lift use if maintenance and lubrication procedures are not properly performed, or if there is any sign of wear, damage or improper operation. Contact your sales representative.

### **WARNING**

**Maintenance and lubrication procedures must be performed as specified by an authorized service technician. Failure to do so may result in serious bodily injury and/or property damage.**

# Maintenance and Lubrication Schedule

## Lubrication Diagram



See the Maintenance/Lubrication Schedule for recommended applications per number of cycles.

Lubricant	Type	Specified (recommended) Lubricant	Available Amount	BraunAbility Part No.
<b>LO - Light Oil</b>	Light Penetrating Oil (30 weight or equivalent)	LPS2, General Purpose Penetrating Oil	16 oz. Aerosol Can	15807
<b>LG - Light Grease</b>	Light Grease (Multipurpose)	Lubriplate	14 oz. Can	15805

## Maintenance and Lubrication Schedule

<b>750 Cycles</b>	Bridge plate hinge	Apply Light Oil - See Lubrication Diagram
	Platform hinges (6)	Apply Light Oil - See Lubrication Diagram
	Roll stop pivot points (4)	Apply Light Oil - See Lubrication Diagram
	Roll stop pin roller bearings (2)	Apply Light Oil - See Lubrication Diagram
	Roll stop foot bearings (2)	Apply Light Oil - See Lubrication Diagram
	Roll stop arm slots (2)	Apply Light Grease - See Lubrication Diagram
	Lift-Tite™ latches and dampening spring pivot points (6 points)	Apply Light Oil - See Lubrication Diagram
	Inspect Lift-Tite™ latches and gas springs for wear or damage (bent, deformed or misaligned), positive securement (external snap rings) and proper operation	Resecure, replace damaged parts or otherwise correct as needed. Apply Light Grease to Lift-Tite™ latch tower pivot point if replacing latch.
	Inspect bridge plate and roll stop for proper operation	Correct or replace damaged parts.
	Inspect roll stop foot pivot for proper operation, positive securement, and detached or missing spring	Correct or replace damaged parts and/or relubricate. See Lubrication Diagram.
	Platform turnbuckle pivot points (2 turnbuckles - 4 points)	Apply Light Oil - See Lubrication Diagram
	Inspect lift for wear, damage or any abnormal condition	Correct as needed.
Inspect lift for rattles	Resecure, replace or correct as needed. See Quiet-Ride™ Stow Blocks in Exploded View and Parts List section for specified torque values. See Roll Stop Anti-Rattle Installation and Adjustment.	
Check PLATFORM FOLD pressure.	See Platform Fold Pressure Adjustment.	

## Maintenance and Lubrication Schedule

<b>1500 Cycles</b>	Platform pivot pin bearings (4)	Apply Light Oil - See Lubrication Diagram
	Platform fold arm bearings (8)	Apply Light Oil - See Lubrication Diagram
	Bridge plate chain mount bearings (2)	Apply Light Oil - See Lubrication Diagram
	Bridge plate chains (4)	Apply Light Oil - See Lubrication Diagram
	Bridge plate fold arm actuation lever bearings (4)	Apply Light Oil - See Lubrication Diagram
	Parallel arm pivot pin bearings (16)	Apply Light Oil - See Lubrication Diagram
	Handrail mount bushings (4) and bearings (4)	Apply Light Oil - See Lubrication Diagram
	Hydraulic cylinder pivot bushings (8)	Apply Light Oil - See Lubrication Diagram
	Inspect bridge plate for: <ul style="list-style-type: none"> <li>• Wear or damage</li> <li>• Proper operation. Bridge plate should just rest on top surface of the base plate.</li> <li>• Positive securement (both ends)</li> </ul>	Resecure, replace or correct as needed. See Platform Angle Adjustment Instructions and Tower Microswitch Adjustment Instructions in service manual.
	Inspect handrail components for wear or damage, and for proper operation	Replace damaged parts.
	Inspect microswitches for securement and proper adjustment.	Resecure, replace or adjust as needed. See Tower Microswitch Adjustment Instructions in service manual.
	Make sure lift operates smoothly	Realign towers and vertical arms. Lubricate or correct as needed.
	Inspect roll stop clevis pin securement set screws (2)	Resecure or replace. See Exploded View and Parts List section in service manual for specified thread locking compound and torque values.
Inspect external snap rings: <ul style="list-style-type: none"> <li>• Platform fold arm pivot pins (2 per pin)</li> <li>• Platform fold axles (1 per axle)</li> <li>• Lift-Tite™ latch gas (dampening) spring (2 per spring)</li> </ul>	Resecure or replace if needed.	

## Maintenance and Lubrication Schedule

<b>1500 Cycles</b>	<p>Remove pump module cover and inspect:</p> <ul style="list-style-type: none"> <li>• Hydraulic hoses, fittings and connections for wear or leaks</li> <li>• Harness cables, wires, terminals and connections for securement or damage</li> <li>• Circuit boards, fuses, circuit breaker and power switch for securement or damage</li> </ul> <p>Inspect Lift-Tite™ latch rollers for wear or damage, positive securement and proper operation (2)</p>	<p>Resecure, replace or correct as needed.</p> <p>Correct, replace damaged parts and relubricate with Light Oil - See Lubrication Diagram.</p>
<b>4500 Cycles</b>	<p>Hydraulic Fluid (Pump) - Check level. Notice: Fluid should be changed if there is visible contamination. Inspect the hydraulic system (cylinder, hoses, fittings, seals, etc.) for leaks if fluid level is low.</p> <p>Inspect cylinders, fittings and hydraulic connections for wear, damage or leaks</p> <p>Inspect parallel arms, bearings, pivot pins and screws for visible wear or damage</p> <p>Inspect platform pivot pins, bearings, screws and vertical arms for wear, damage and positive securement</p> <p>Inspect platform fold arm, bridge plate fold arm actuation lever, handrail mount and associated pivot pins, mounting hardware, bushings and bearings for visible wear or damage</p> <p>Inspect gas springs (cylinders) for wear or damage, proper operation and positive securement</p>	<p>Use BraunAbility 32840-QT hydraulic fluid (Exxon® Unisvis HVI 26). Do not mix with Dextron III or other hydraulic fluids. Check fluid level with platform lowered fully. Fill to maximum fluid level indicated on reservoir (specified on decal). Do not overfill. If fluid level decal is not present - measure 35 mm (1-3/8") from the fill port to locate fluid level.</p> <p>Tighten, repair or replace if needed.</p> <p>Replace if needed. See Exploded View and Parts List section in service manual for specified thread locking compounds and torque values.</p> <p>Replace damaged parts and resecure as needed. See Exploded View and Parts List section in service manual for specified thread locking compounds and torque values. Apply Light Grease to pins during reassembly procedures.</p> <p>Replace if needed. See Exploded View and Parts List section in service manual for specified thread locking compounds and torque values.</p> <p>Tighten, replace or correct as needed. See Exploded View and Parts List section in service manual for specified thread locking compounds and torque values.</p>

## Maintenance and Lubrication Schedule

<b>4500 Cycles</b>	<p>Inspect power cable</p> <p>Mounting</p> <p>Decals and Antiskid</p>	<p>Resecure, repair or replace if needed.</p> <p>Verify lift is securely anchored to the vehicle and there are no loose bolts, broken welds, or stress fractures.</p> <p>Replace decals if worn, missing or illegible. Replace antiskid if worn or missing.</p>
------------------------	---	---

<b>Consecutive 750 Cycle Intervals</b>	<p>Repeat all previously listed inspection, lubrication and maintenance procedures at 750 cycle intervals.</p>
--	--

<b>Lift Disposal Procedure</b>	<p>2000-53-EC Disassembly and Disposal Guidelines</p> <p>No lift components contain unacceptable amounts of lead, cadmium, mercury, or hexavalent chromium.</p> <ol style="list-style-type: none"> <li>1. Lower platform to ground.</li> <li>2. Open pump module manual relief valve.</li> <li>3. Disconnect power from lift.</li> <li>4. Capture and recycle hydraulic fluid.</li> <li>5. Disassemble lift and recycle components.</li> </ol> <p style="padding-left: 40px;">Refer to exploded views in service manual.</p>
--	--

## Declaration of Conformity

Issued by Autoadapt Safety Centre in Stenkullen, Sweden.

**Manufacturer:** The Braun Corporation  
**Address:** 631 West 11th Street, Winamac, IN 46996 United States

**Authorized Representative  
and Importer into EU:**

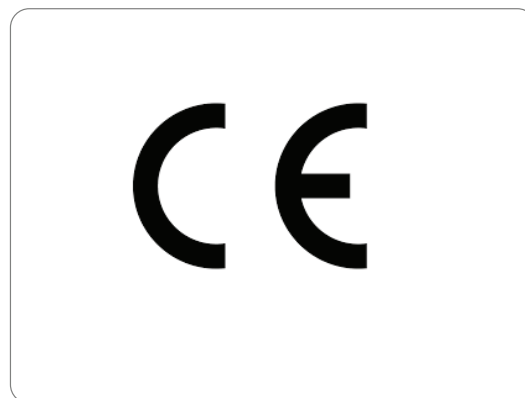
**Manufacturer:** Autoadapt AB  
**Address:** Åkerivägen 7, 443 61 Stenkullen, Sweden  
**Telephone:** +46 302 254 00  
**E-mail:** [info@autoadapt.com](mailto:info@autoadapt.com)  
**Internet:** [www.autoadapt.com](http://www.autoadapt.com)

**Declares that the Product:**

**Product name:** Braun Double Parallel Arm lift  
**Model:** All versions 12/24 volts system

**Conforms to the following Directives, Standards and Regulations**

2006/42  
ECE R-10  
ECE R-17  
EN 1756-2:2004 + A1 2009  
EN 50489: 2010  
ISO EN 12100-1/2  
ISO 7637-2: 2011  
CISPR 25:2008  
ECE R-107 Rev. 5  
EN 60204  
ISO 14121-2: 2012  
EN 11202  
REACH  
GADSL  
RoHS



Stenkullen, 2016-04-05

**Autoadapt AB**



Håkan Sandberg  
CEO

Owner Manual  
International  
**Inboard Lift**  
**Q Series**  
**Split Platform**

Rev. A Build

Public Use  
Wheelchair Lifts

BraunAbility® Limited Warranty

Consult your local BraunAbility® dealer regarding warranty policy.

[www.braunability.com/international](http://www.braunability.com/international)

Patent #6,599,079

Patents Pending



[www.braunability.com/international](http://www.braunability.com/international) ISO 9001:2015

631 West 11th Street, Winamac, IN 46996, USA

Phone: +1 574 946 6153

Fax: +1 574 946 4670