

# E Series Emergency Release Handle Instructions



Service Bulletin # 406295 Rev. A

631 West 11th Street • P.O. Box 310 • Winamac, IN 46996

February 2021

(574) 946-4139 • 1-800-THE-LIFT • www.braunability.com

---

Fixed Pumps: Identifiable by model number: EDECXXXXXXXXLXX (13th character in model # is an L)

---

1.) Remove back-up pump handle and spring retaining clips from pump cover.

2.) Place pump handle adapter into adapter plate as shown in Figure 1.

3.) Adapter Plate Position:

Align adapter plate and handle adapter with pump valve.

Ensure that the pump handle adapter engages the pump valve.  
See figure 1 and 2.

NOTE: The pump valve release handle must be oriented so that it does not interfere with hand pump operation (with the valve in the closed position). See Figure 3.

With all of the above verified, the adapter plate is correctly positioned.

FIGURE 1

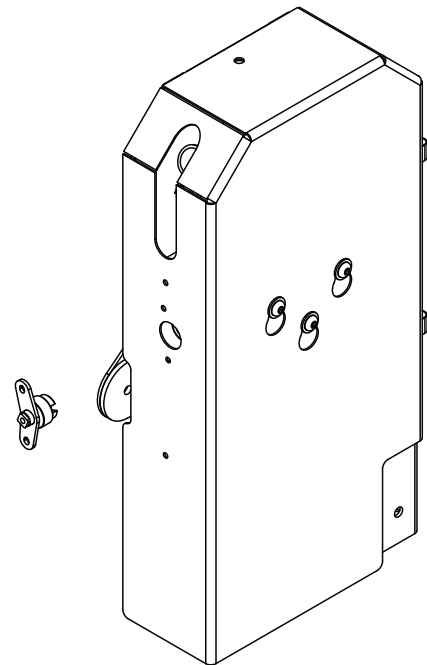


FIGURE 2  
&  
FIGURE 4

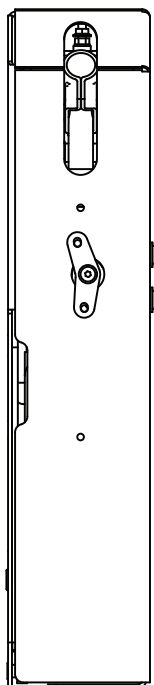
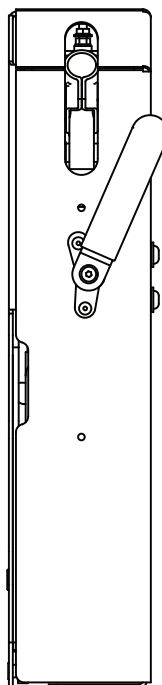


FIGURE 3



4.) Using the adapter plate as a template, drill two 13/64 inch holes in the pump cover. Refer to figure 4.

5.) Assemble the release valve handle. See figure 5.

6.) Secure adapter plate to pump cover as shown in Figure 6.

7.) Reinstall spring retaining clips and back-up pump handle:

Drill two 13/64" holes on the front of the pump cover, opposite the release valve as shown in figure 7

Install spring clips to pump cover as shown in Figure 8.

Ensure back-up pump handle does not interfere with on/off switch, reset relay, or hand pendent connector when retained inspring clips

FIGURE 5

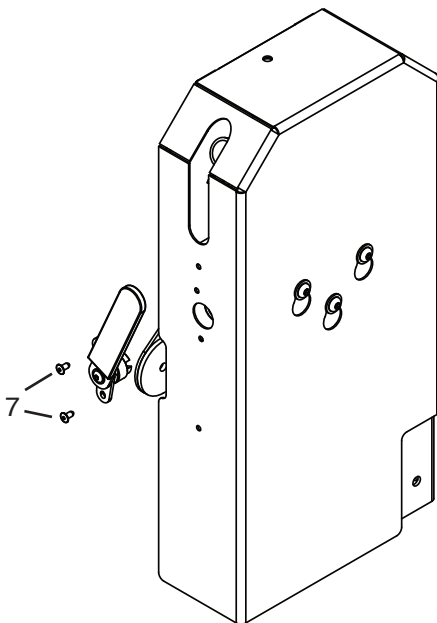
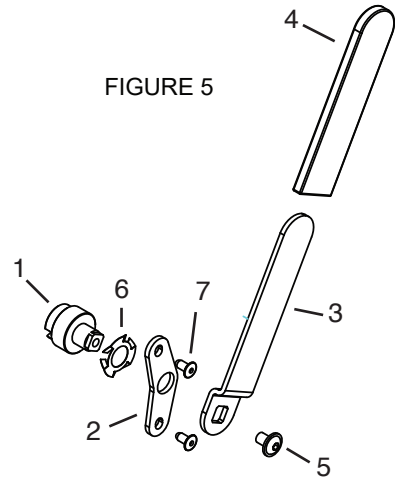


FIGURE 6

Kit # 406294KS - KIT HANDLE MANUAL DN E-SERIES /FIXED KIT SHIP OUT			
Item	Part #	Description	Qty
1	406293	ADAPTER-HANDLE-PUMP MANUALDOWN	1
2	405178	REVERSIBLE E HANDLE MOUNT	1
3	36009	HANDLE-PUMP-MANUAL DOWN	1
4	16972	GRIP-1/8 X 1 HANDLE-EMER. REL/RED	1
5	28252	SCREW-1/4-20 X 3/8" FLBHSCS	1
6	27276	WASHER-FINGER DISC SPRING	1
7	11512	RIV-POP-SD62BS-3/16"-06/13/AUTO-BK	4
8	12350	CLAMP-SPRING-PUMP HANDLE	2

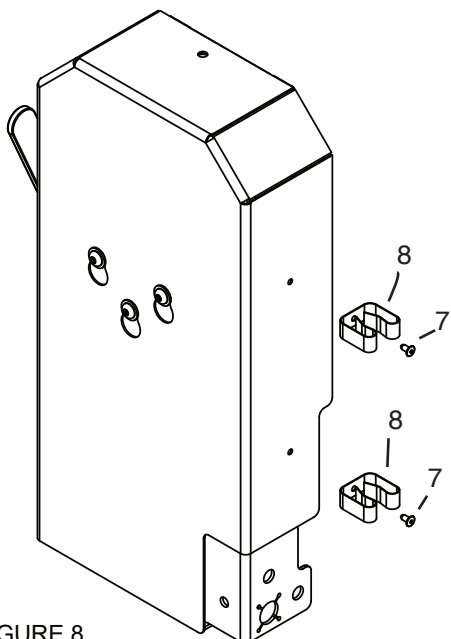


FIGURE 8

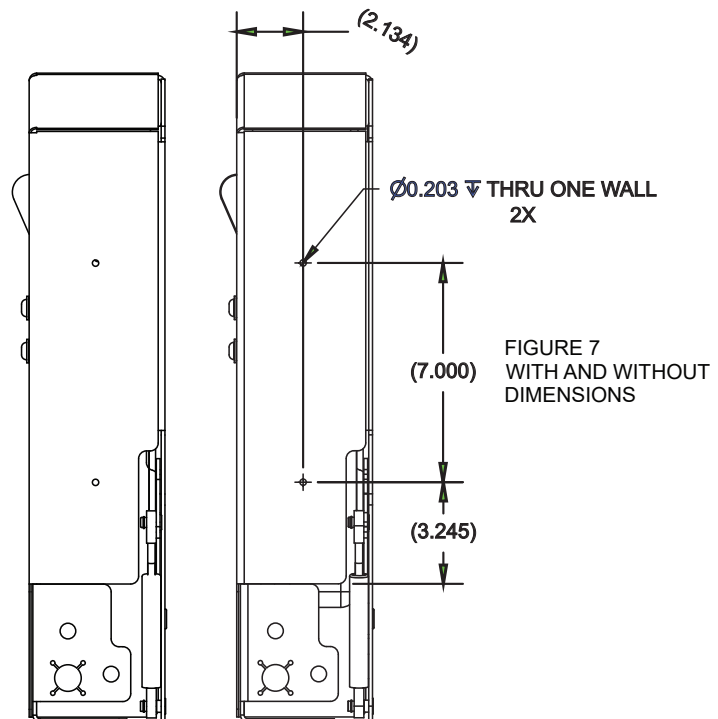


FIGURE 7 WITH AND WITHOUT DIMENSIONS

FIGURE 1

- 1.) Place pump handle adapter into adapter plate as shown in Figure 1.
- 2.) Adapter Plate Position:

Align adapter plate and handle adapter with pump valve, also ensure alignment of the two pre existing holes in the pump cover with the two holes in the adapter plate. If holes are not aligning, rotate adapter plate 180degrees.

Ensure that the pump handle adapter engages the pump valve. See figure 1 and 2.

NOTE: The pump valve release handle must be oriented so that it does not interfere with hand pump operation (with the valve in the closed position). See Figure 3.

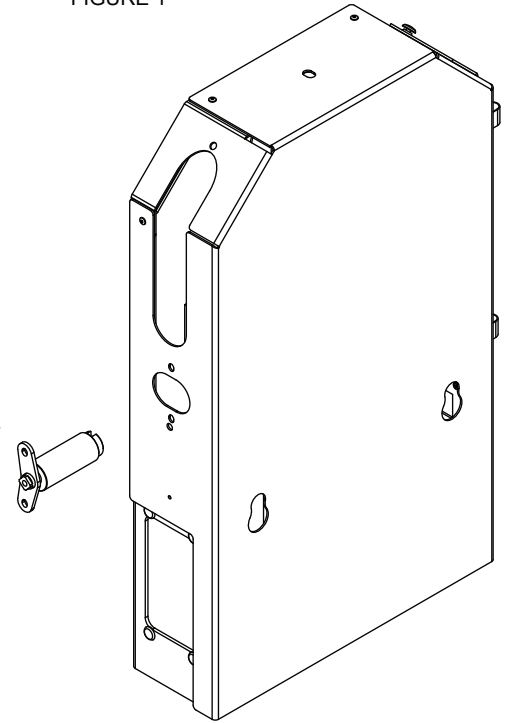


FIGURE 2

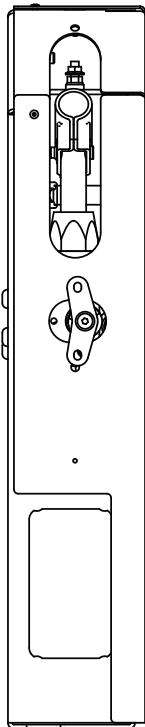
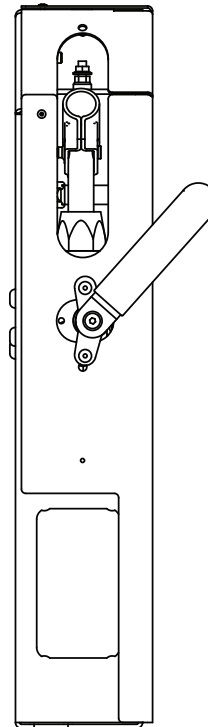


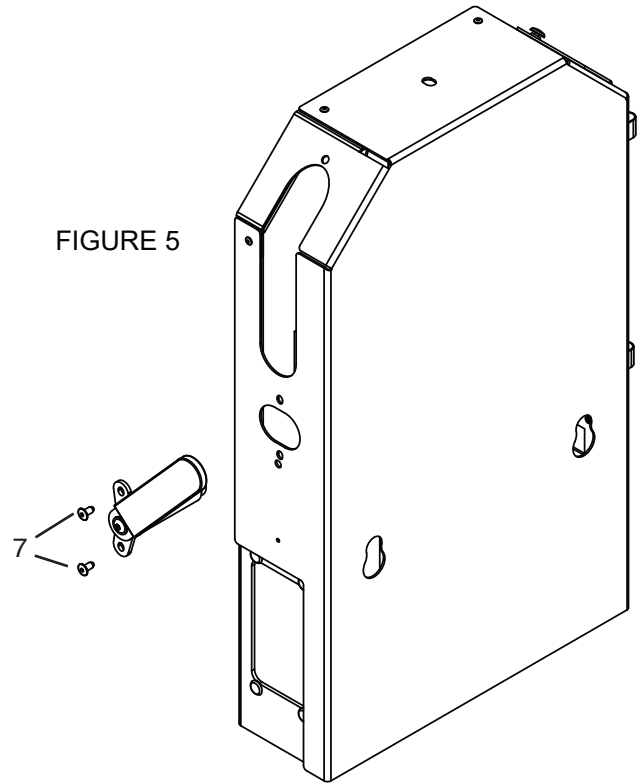
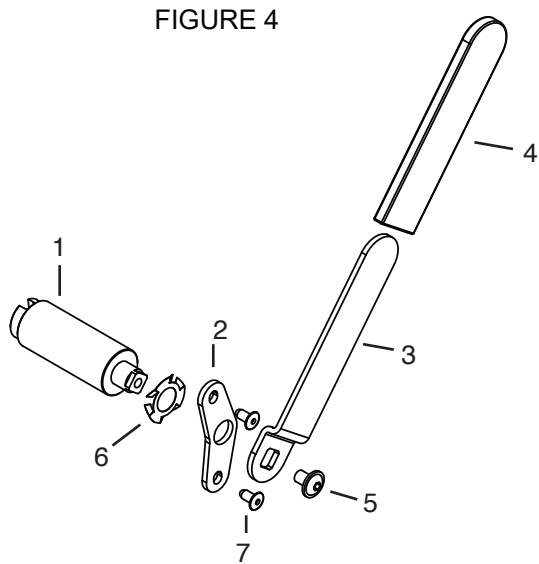
FIGURE 3



With all of the above verified, the adapter plate is correctly positioned.

3.) Assemble the release valve handle. See figure 4.

4.) Secure adapter plate to pump cover as shown in Figure 5.



Kit # 405179KS - KIT HANDLE MANUAL DN E-SERIES /MOVEABLE KIT SHIP OUT			
Item	Part Number	Description	Qty
1	405179	ADAPTER-HANDLE-PUMP MANUAL DOWN	1
2	405178	REVERSIBLE E HANDLE MOUNT	1
3	36009	HANDLE-PUMP-MANUAL DOWN	1
4	16972	GRIP-1/8 X 1 HANDLE-EMER. REL/RED	1
5	28252	SCREW-1/4-20 X 3/8" FLBHSCS	1
6	27276	WASHER-FINGER DISC SPRING	1
7	11512	RIV-POP-SD62BS-3/16"-.06/.13/AUTO-BK	2