



CURB-SIDER®
VSL-6000 AND 6900
**OPERATOR'S
MANUAL**

04-16-2019
P/N 6000/6900-UK-O

Thank you for purchasing a Bruno VSL-6000/6900 Curb-Sider® lift..



The information contained in this manual is provided with your safety in mind. Please read and follow the instructions to ensure safe and trouble-free operation.

Throughout this manual, **safety precautions** are provided to identify potentially hazardous situations and to advise how to avoid them.



WARNING: Indicates a potentially hazardous situation that, if not avoided, could cause serious bodily injury and/or property damage.



CAUTION: Indicates a potentially hazardous situation that, if not avoided, could cause damage to the lift, vehicle and/or moderate injury.



CAUTION: Indicates a potentially hazardous electrical situation that, if not avoided, could cause damage to the lift, vehicle and/or moderate injury.

NOTE: Directions that make it easier to install or operate the lift.

Authorized EU Agent:
ASCIER SAS
11-13 Rue Charles Cordier
ZA Parc de Bel Air
77164 Ferrières-en-Brie
FRANCE

Authorized UK Agent:
BRUNO UK LTD.
Unit 5, Millennium Court
Clayhill Industrial Park
Neston, Wirral CH64 3UZ
UNITED KINGDOM

TABLE OF CONTENTS

1.0 For your safety	4
2.0 Product registration form	5
3.0 CE and Maximum Load Rating Information	6
4.0 Docking devices	7-8
5.0 Loading a mobility device	9-11
6.0 Unloading a mobility device	12-13
7.0 VSL-6900: Special operating instructions	14-15
8.0 Optional fold-down quick release pins	16-17
9.0 Emergency backup operation	18-19
10.0 Maintenance and troubleshooting	20

1.0 FOR YOUR SAFETY

- The Curb-Sider® is designed to lift mobility devices weighing up to 400 lb (181 kg)
- Do not abuse or exceed the maximum lift capacity indicated on the unit.
- Do not remove any guards or covers.
- Always be aware of surface conditions before using the lift and take appropriate care.
- Park the vehicle on a horizontal, level surface. Load and unload on as level a surface as possible.
- Avoid unloading into vehicular traffic.
- Read and understand the operating instructions, and all safety precautions prior to using the lift. Operate the lift several times while the installer is available to answer questions.
- Vehicle engine must be shut off, with transmission set in park (parking brake must be engaged on models with manual transmission).
- Keep hands, fingers and feet away from moving components during lift operation.
- Be sure the power source of the device being lifted (scooter, power chair, wheelchair) is OFF before attaching it to the lift.

WARNING: Read vehicle manufacturers (OEM) instructions about the vehicle's electrical system BEFORE working on the vehicle. Vehicle OEMs have model specific requirements about battery disconnection when performing work on a vehicle.

Disconnecting batteries incorrectly or working on a vehicle with batteries improperly in the circuit MAY cause loss of vehicle data, damage vehicle wiring system or even cause airbags to deploy. This information can be found in the VEHICLE OWNER'S MANUAL or the VEHICLE REPAIR GUIDE.

2.0 PRODUCT REGISTRATION FORM


We are pleased to provide you with this mobility-enhancing product.

The Product Registration Form is shipped in a plastic bag with this manual. It is very important that you fill out and return this form at your earliest convenience so that we may complete the warranty registration process for your unit.

The **serial number** is found on labels affixed to the manual, as well as on the unit itself.

Serial and model numbers must be provided when filing a warranty claim, requesting service or ordering parts. We encourage you to keep this information readily available at all times.

Best wishes.

 **Product Registration Form**
Please print in CAPITAL letters.

Online registration available at <http://www.bruno.com/warranty.html>

Please be assured that Bruno **does not** share or sell the information you provide.

* = required field

*First Name _____ M.I. _____

*Last Name _____

*Street Address _____

*City _____ *State/Province _____

*Zip/Postal Code _____

Email Address _____

Telephone No. _____

Date of Purchase (mm/dd/yy) _____

Dealer: Locate the Model and Serial numbers on the data sheet shipped with the unit and place it here.

End-User: For faster registration, please go to the website shown above.

Model No. _____

Serial No. _____

Please rate your satisfaction with your Bruno dealer:

excellent good average poor

Please rate your satisfaction with your Bruno product:

excellent good average poor

Bruno reserves the right to use information indicated on this form in its online, video, audio and printed materials. Names will be abbreviated to ensure the privacy and anonymity of the individual.

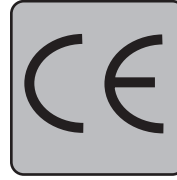
©2013,2005 Bruno Independent Living Aids, Inc.® Rev. 02-18-2013
P/N PROD REG STD

3.0 CE AND MAXIMUM LOAD RATING



WARNING

The lift weight rating is the **MAXIMUM** load rating. The maximum load rating for the specific vehicle application has been determined during the design of the mounting assembly. During dealer installation, factors inherent to specific applications including, but not limited to, vehicle structure and condition, operating environment, and customer ability may reduce the effective weight rating. The structure of the lift itself is **NOT** a factor in establishment of load ratings.



This lift fulfills requirements according to EMC 95/54/EC, 2004/108/EC.

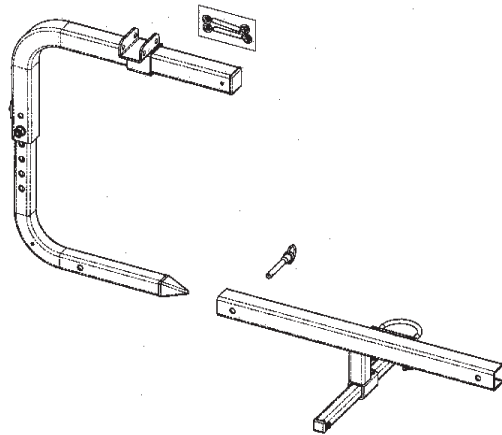
The indicated maximum load rating is appropriate for lifts installed according to Bruno instructions.

<u>LIFT MODEL</u>	<u>MAXIMUM LOAD RATING</u>
VSL-6000	up to 250 lb (113 kg)* *400 lb (181 kg) w/optional equipment
VSL-6900	up to 400 lb (181 kg)

4.0 DOCKING DEVICES

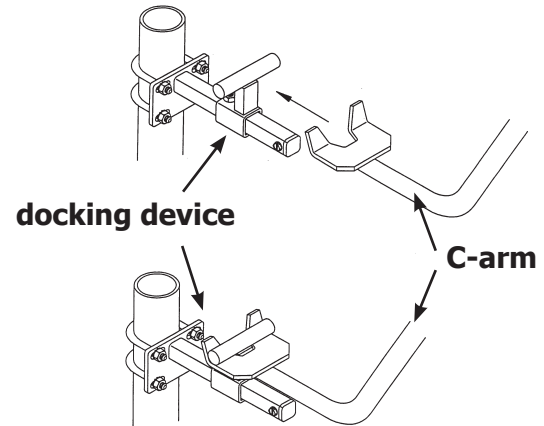
■ EXAMPLE 4.1

Spinal fusion C-arm and docking device

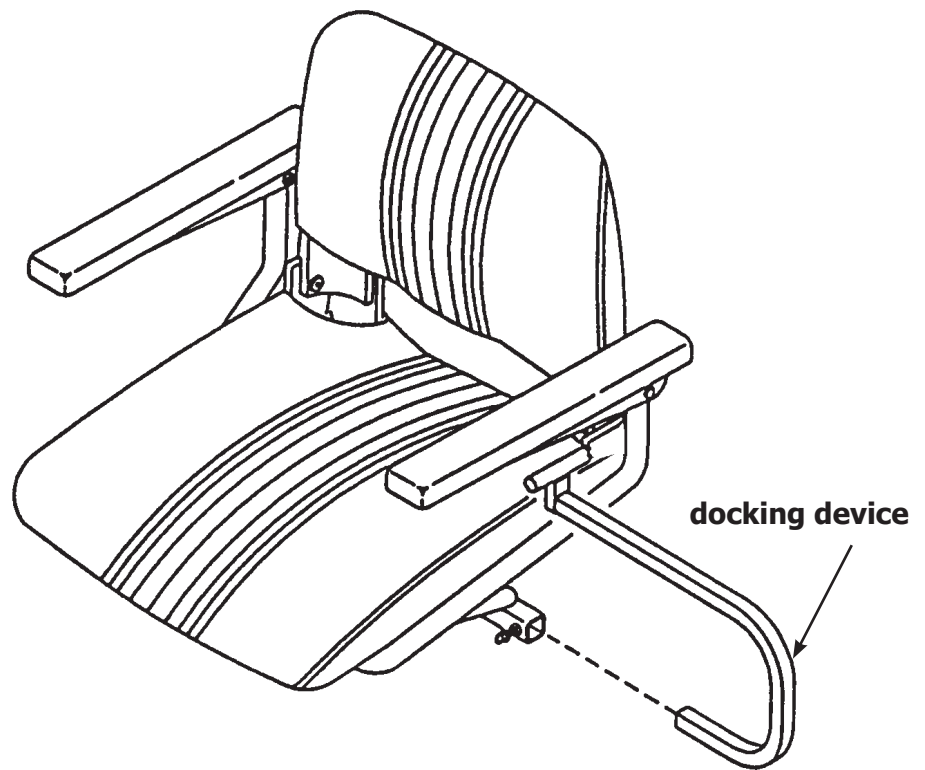


■ EXAMPLE 4.2

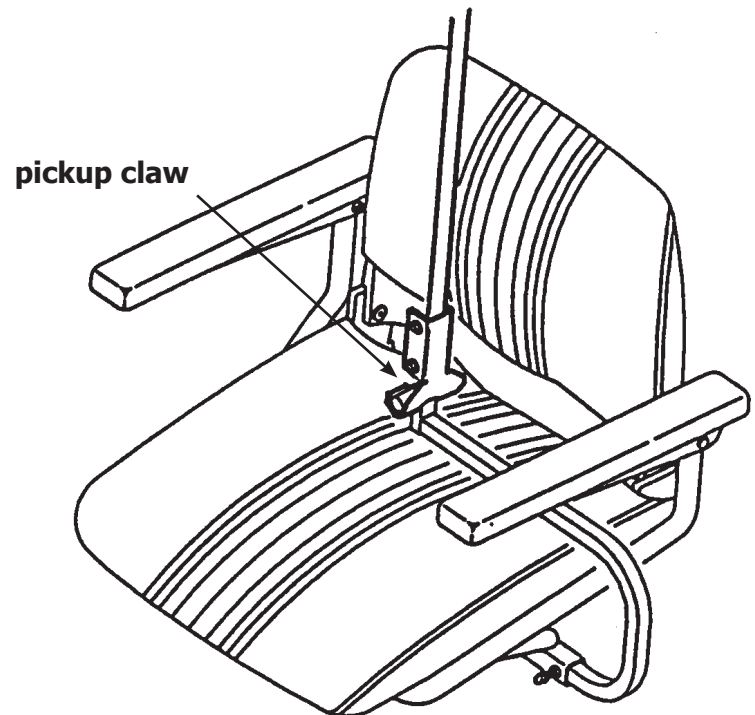
C-arm and docking device



■ EXAMPLE 4.3



■ EXAMPLE 4.4



5.0 LOADING A MOBILITY DEVICE

■ STEP 5.1

NOTE: Before loading a mobility device onto the Curb-Sider, be sure required docking device has been mounted to the mobility device.

- Park the scooter alongside the vehicle:
 - as close to the rear of the vehicle as possible;
 - with the scooter facing in the direction opposite that of the vehicle;
 - so that the scooter's front wheel is even with the vehicle's rear bumper.
- Open the vehicle's rear door.
- Check for sufficient space behind your vehicle.
 - Four (4) feet (1.2 m)** of clear space behind the vehicle is usually adequate.
- Move any obstacles that could interfere with the movement of the scooter as the lift swings it into the vehicle. Open driver-side door.
- Move mobility device into transfer position.
- Turn scooter off (lock the wheelchair wheels).



WARNING

TIP OVER RISK



Allowing mobility device wheels to roll off a raised surface during loading can result in operator injury and/or damage to the mobility device or vehicle.

Keep mobility device at a safe distance from raised surfaces (eg. sidewalk).

■ STEP 5.2

- Locate the control pendant.
- Be sure the pendant is not tangled in the lift mechanism.
- Depress and hold the UP switch on the control pendant to raise the C-arm/pickup claw high enough to avoid catching on something as the lift swings out of the vehicle.
- Release the button.
- Depress the OUT switch on the control pendant to swing the lift arm out of the vehicle.

NOTE: Hold the C-arm/pick-up claw as the lift is powered out to prevent the pick-up device from swinging freely and contacting the side of the vehicle.

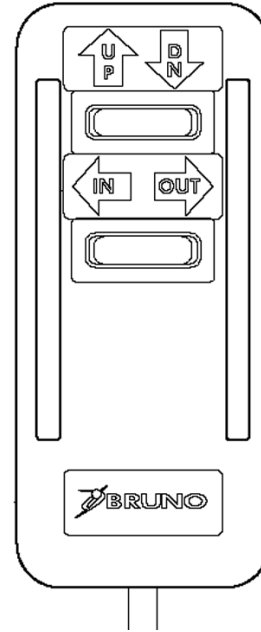
- Release the switch when the lift arm is over the mobility device.

■ STEP 5.3

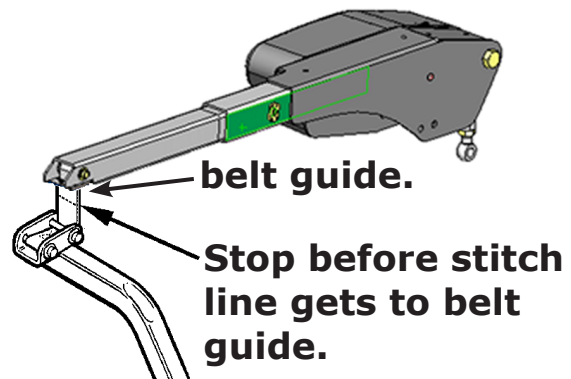
- With the lift positioned over the mobility device, depress and hold the DOWN switch on the control pendant.
- Guide the C-arm/pickup claw to a position slightly below the docking device (installed on the mobility device by your dealer).
- Hook the C-arm/pickup claw onto the docking device as shown at the front of this manual.
- Depress and hold the UP switch on the control pendant to lift the mobility device. N

NOTE: It may be necessary to raise the scooter until the C-arm/pickup claw is approximately 1" (25 mm) below the belt guide.

- Release the switch before the white stitching on the belt reaches the belt guide.



NOTE: Releasing a pendant switch stops lift operation.

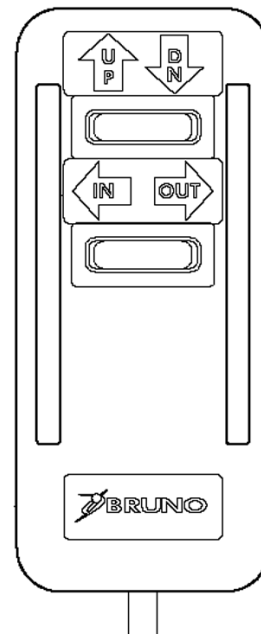


■ STEP 5.4

- Depress and hold the pendant IN switch to swing the mobility device into the vehicle

NOTE: Guide the mobility device with your hand as it swings into the vehicle. Apply gentle pressure on the mobility device body or seat.

- Release the IN switch when the scooter is suspended over the desired location.
- Depress and hold the DOWN switch on the control pendant.
- Release the switch when the scooter comes to rest on the vehicle floor.
- Be sure that:
 - the scooter rests firmly on as level an area as possible;
 - the C-arm/pickup claw remains attached to the mobility device, and
 - the lift belt remains taut.



■ STEP 5.5

- SET THE MOBILITY DEVICE'S PARKING BRAKE and turn off the unit.
- Place the control pendant and its cord in a secure location in the vehicle.

NOTE: Make sure the pendant is placed where nothing will come to rest on the buttons.

- Check that no obstacles stand in the way of closing the vehicle door.
- Close the vehicle door.

6.0 UNLOADING A MOBILITY DEVICE

■ STEP 6.1

- Park the vehicle in a location allowing ample room to unload the mobility device.
- Open the vehicle door.
- Check for sufficient space behind your vehicle.

Four (4) feet (1.2 m) of clear space behind the vehicle is usually adequate.

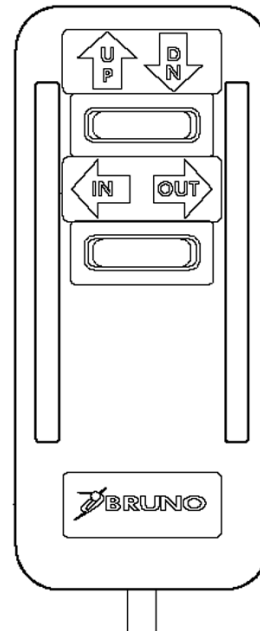
- Be sure there are no obstacles that could interfere with the movement of the mobility device as the lift swings it into the vehicle.
- Locate the control pendant.
- Be sure the pendant is not tangled in the lift mechanism.
- Position yourself out of the exit path of the lift as it swings out of the vehicle.

■ STEP 6.2

- Depress and hold the UP button on the control pendant to lift the mobility device from the vehicle floor.
- When the scooter is at a height where it will not catch on anything, release the UP button to stop lift operation.
- Depress and hold the OUT button on the control pendant to swing the scooter out of the vehicle.

NOTE: Be sure to guide the mobility device with your hand.

- When scooter is suspended over the desired location, release the OUT button to stop lift operation.
- Depress and hold the DOWN button on the control pendant to lower the mobility device to the ground.
- Release the DOWN button once the mobility device reaches the ground, and after a sufficient amount of slack exists in the belt to allow you to unhook the C-arm from the docking device.



NOTE: Releasing a pendant switch stops lift operation.

To transfer the mobility device from the vehicle onto a sidewalk, park the vehicle so that its wheels are within approximately two 2" (5 cm) of the curb.

During loading and unloading, always guide the mobility device by applying gentle pressure with your hand. This will keep the mobility device from rotating while suspended, and possibly damaging the vehicle.

■ STEP 6.3

- Unhook the C-arm/pick-up claw from the docking device.
- Depress and hold the UP button on the control pendant to raise the C-arm/pick-up claw to the belt guide.

NOTE: Stop lift operation before the white stitching on the lift belt enters the belt guide slot (see bottom left).

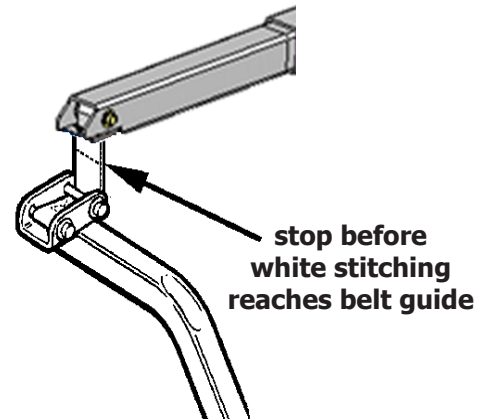
- Depress and hold the IN button on the control pendant to swing the lift back into the vehicle.
- Release the IN button when the lift is in the proper location.
- Place the control pendant in a secure location inside the vehicle.

Is the cord completely inside the vehicle?

- Close the vehicle door.

Unload the mobility device onto a level surface.

If unloading onto a sidewalk with a curb or onto a raised surface, make sure all wheels of the mobility device come to rest on the same plane.

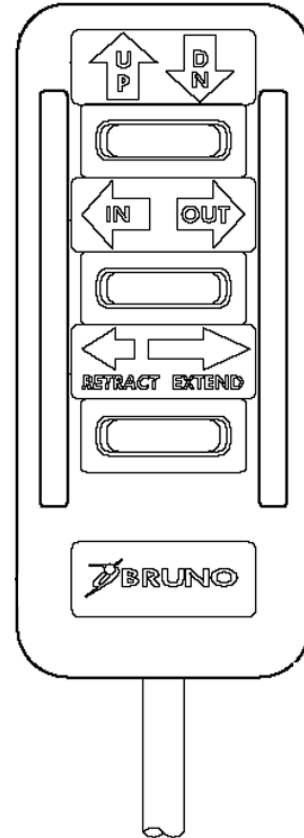


7.0 VSL-6900: SPECIAL OPERATING INSTRUCTIONS

■ STEP 7.1

The VSL-6900 features a telescoping lift head that extends up to 8" (20 cm) and is able to lift a mobility device weighing up to 400 lb (181 kg) into a vehicle whose door/hatch opening is narrow.

- Lift up the lift arm.
- Depress and hold the OUT button on control pendant to rotate the lift arm out of the vehicle.
- Release the OUT button when the lift arm is perpendicular to the vehicle rear bumper.
- Depress and hold the EXTEND button on the control pendant.
- Release the EXTEND button when lift arm, when rotated further, will not contact vehicle.
- Depress the OUT button to continue rotating the lift.
- Release the OUT button when lift is in correct position over scooter or wheelchair to be lifted.

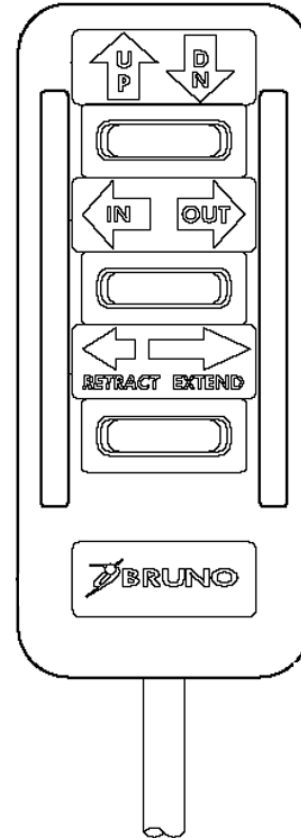


■ STEP 7.2

- Depress and hold the DOWN button on the control pendant to lower the pick-up device.
- Release the DOWN button when the pick-up device is slightly below the docking device.
- Attach the pick-up device to the docking device.
- Depress and hold the UP button on control pendant.
- Release the UP button when the mobility device reaches a height where it will clear the vehicle rear bumper/tailgate.
- Depress and hold the IN button on the control pendant to rotate the mobility device to the rear opening of the vehicle.
- Release the IN button when the mobility device reaches the proper position for loading into the vehicle.

■ STEP 7.3

- Depress and hold the RETRACT button on the control pendant while guiding the mobility device with your hand.
- Release the RETRACT button when the mobility device is over the desired location.
- Depress and hold the IN button to rotate the mobility device into the vehicle, while guiding the mobility device with your hand.
- Release the IN button when the mobility device is over the desired position.
- Depress and hold the DOWN button to lower the mobility device to the vehicle floor.
- Release the DOWN button when the mobility device comes to rest on the vehicle floor.



■ STEP 7.4

- Be sure that:
 - the mobility device rests firmly on as level an area as possible;
 - the pick-up device remains attached to the mobility device, and
 - the lift belt remains taut.
- SET THE MOBILITY DEVICE'S PARKING BRAKE and turn off the unit.
- Place the control pendant and its cord in a secure location in the vehicle.

NOTE: Make sure the pendant is placed where nothing will come to rest on the buttons.

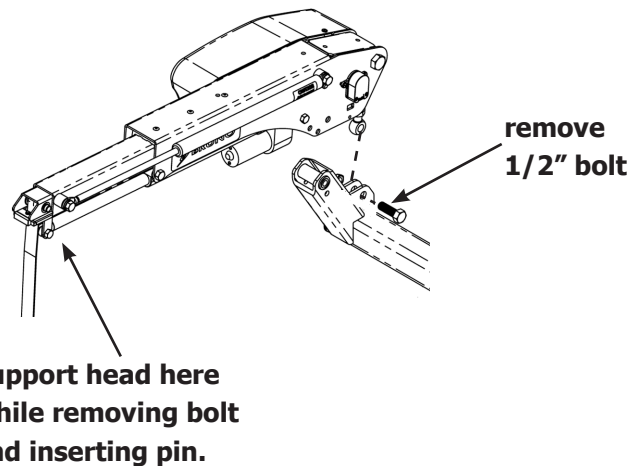
- Check that no obstacles stand in the way of closing the vehicle rear door or tailgate.
- Close the vehicle rear door or tailgate.

8.0 OPTIONAL FOLD-DOWN QUICK RELEASE PIN KIT

■ STEP 8.1

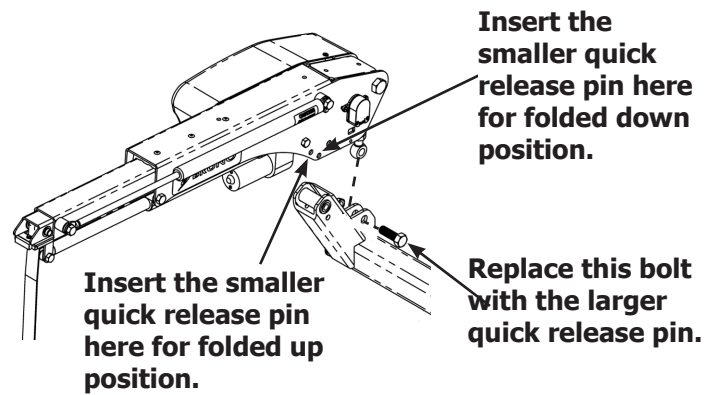
For those customers wishing to have the added capability of folding down the lift head, Bruno offers an optional fold-down quick release pin kit.

- Remove the nut on the 1/2" bolt.
- As you hold the head at the end of the arm (near the belt), remove the 1/2" bolt. You may discard the bolt.



■ STEP 8.2

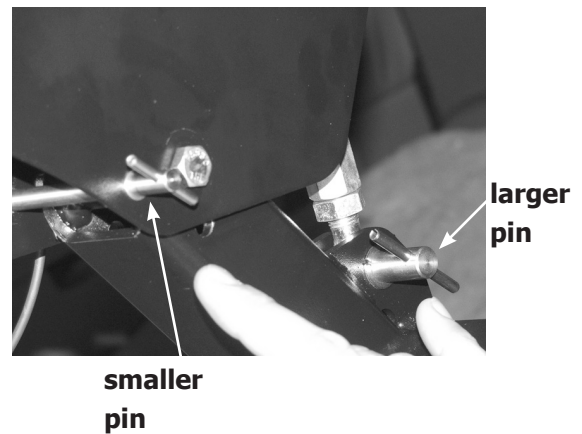
- In the 1/2" bolt hole, insert the larger of the quick release pins.
- Insert the smaller quick release pin as shown to the right.



■ STEP 8.3

To fold down the lift head:

- Remove the smaller quick release pin.
- While holding the lift arm (near the belt end), remove the larger quick release pin.
- Fold down the head.
- Insert the smaller quick release pin in the hole shown to the left.
- Reinsert the larger quick release pin in the same hole from which it was removed.



9.0 EMERGENCY BACKUP OPERATION

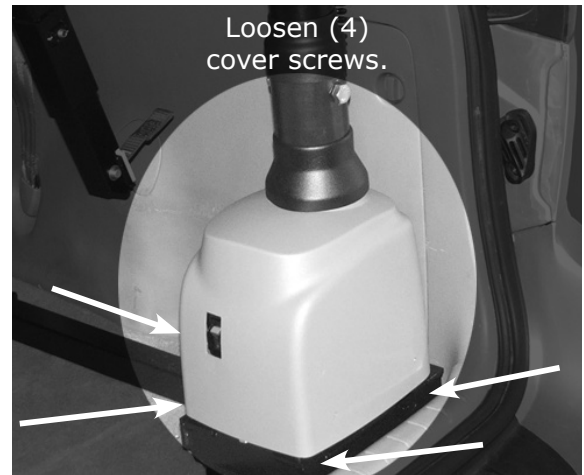
■ STEP 9.1

The Curb-Sider is equipped with a hand crank to serve in case of a power failure.

NOTE: This hand crank is intended solely to maneuver the lift **back into the vehicle** so that the vehicle may be driven.

Accessing and using the hand crank:

- Remove the four (4) thumb screws securing the cover to the lift base.
- Compress the boot with your hands to tuck it inside the cover (see right).

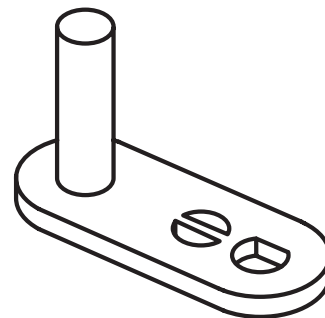
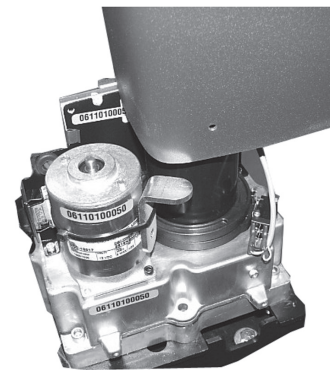
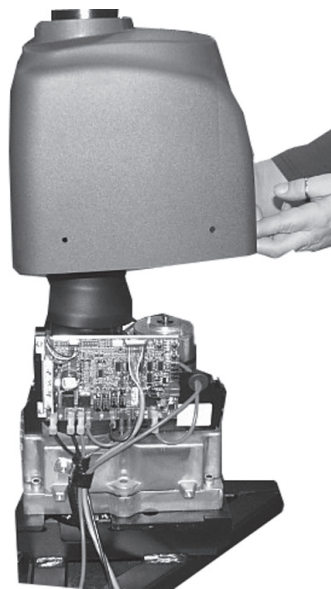


■ STEP 9.2

- Slide the cover up, rotating the cover approximately 90 degrees to provide access to the base motor.

NOTE: Hold the cover up and out of your way as you locate the emergency crank.

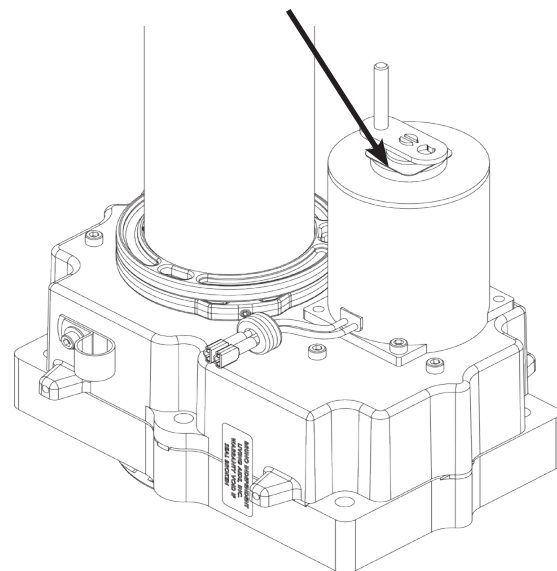
- Once the cover is raised over the motor, you may wish to rotate it 90 degrees and tuck it behind the motor.
- Locate the emergency crank.



emergency crank

■ STEP 9.3

- Place the emergency crank over the motor shaft as shown.
- Rotate the crank until the lift has returned to its home position.
- Remove the crank from the motor and store it in the vehicle glove box.
- Have the lift examined by an authorized Bruno dealer.



10.0 MAINTENANCE AND TROUBLESHOOTING

Take the vehicle and lift to an authorized Bruno dealer for complete inspection and any necessary repairs/ replacements once a year (every 6 months if the lift is used under strenuous conditions).

Recommended maintenance operations:

- inspect the lift belt
- clean and grease chains
- check electrical system
- check and adjust docking device

PROBLEM	POSSIBLE CAUSE / SOLUTION
Lift does not operate	Verify that circuit breaker is ON.
Lift belt goes down when UP pendant switch is pressed, and up when DOWN switch is pressed	Lift has been run down too far and belt has wrapped backwards around spool. Run lift down until belt wraps correctly onto the spool.
Lift makes grinding noise	Have the unit inspected by an authorized Bruno dealer.

Innovative solutions

for your indoor and outdoor lifestyle



Indoor Stairlifts



Outdoor Stairlifts



Scooter/Powerchair Lifts



Vertical Platform Lifts



Bruno Independent Living Aids, Inc.
1780 Executive Drive, Oconomowoc, WI 53066
800-882-8183 • www.bruno.com

© Bruno Independent Living Aids, Inc. 2018

6000/6900-UK-O