

Pedal Extension

User Manual

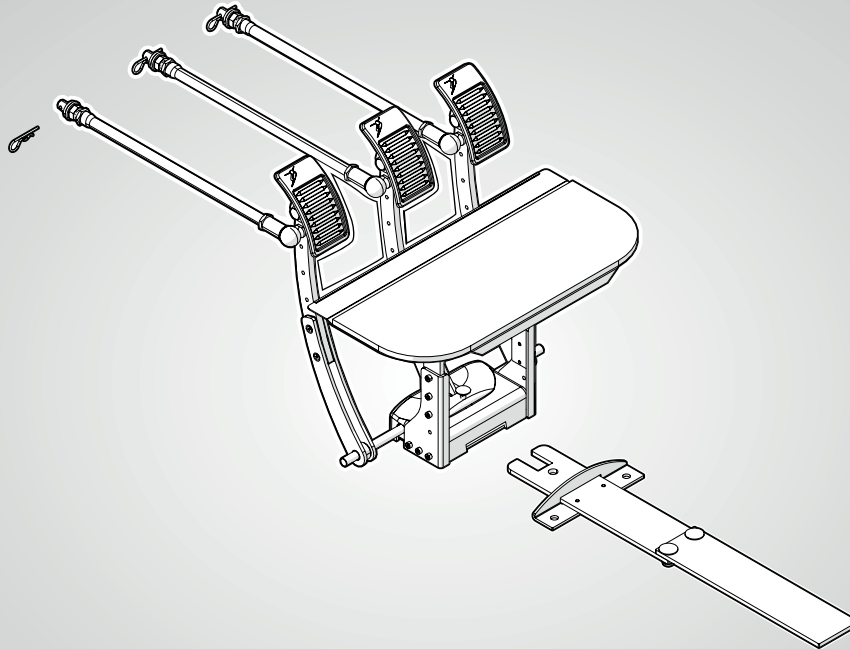


Table of contents

1 Introduction	3
1.1 Disclaimer	3
1.2 Product Information	3
2 Safety	4
3 Operation	5
3.1 How to Remove the Pedal Extension	5
3.2 How to Mount the Pedal Extension	6
4 Support and Contact Information	7

1 Introduction

This manual must be read and its instructions understood before using the Pedal Extension.

1.1 Disclaimer

Keep this manual for later use. The manufacturer is not responsible for incorrect installation. For safety reasons, only trained and authorized installer may install and service this product.

1.2 Product Information

The Pedal Extension is a driving aid developed for drivers who needs pedal extensions to able use of vehicles own pedals. With the use of these pedal extensions, the vehicles own pedals are brought closer and can be adjusted for distance and height.

The pedal extensions are easy to remove to give other drivers quick access to the vehicle.

2 Safety

If the driving environment has been compromised in any way, for instance a break-in or an accident, the pedal extension cannot be used until it is inspected and approved by the installer.

When exiting the vehicle it is important to note that the pedals are not put under any unnecessary strains or bumps.

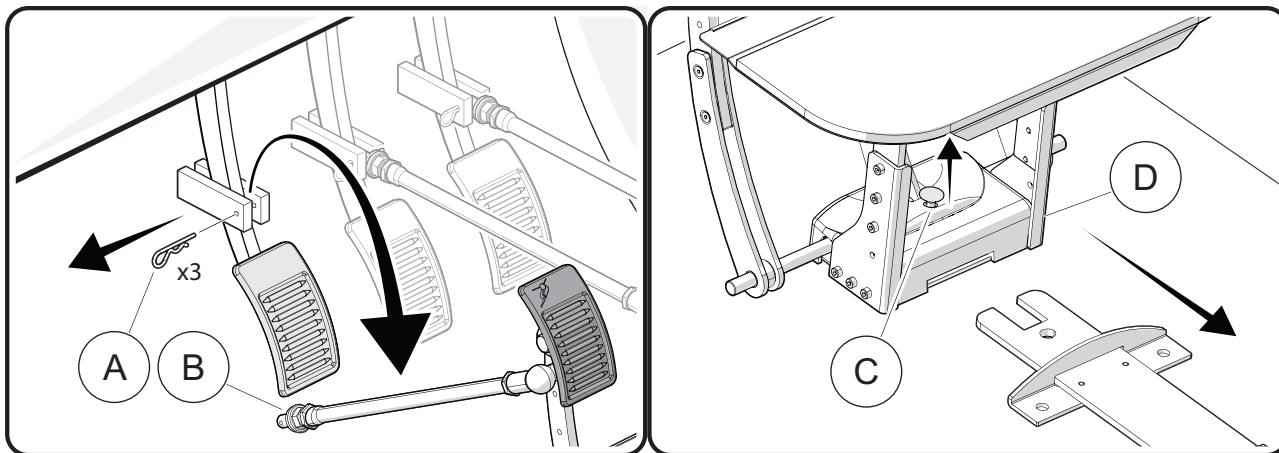
Ensure that the pedals have enough room for movement and that the pedals do not interfere with or catch on any other parts.

If the pedal extension is too stiff or too loose, immediately contact the installer.

3 Operation

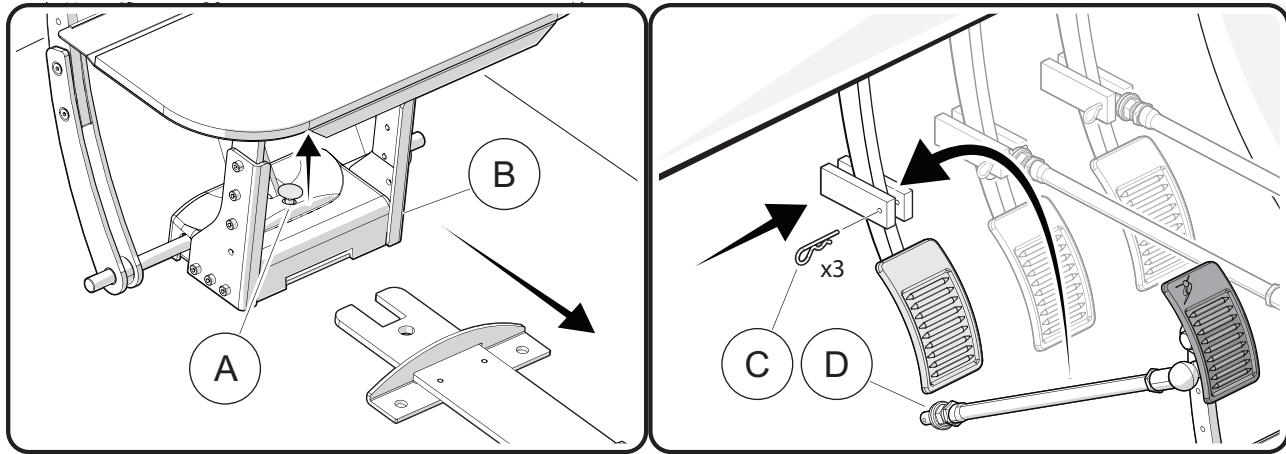
3.1 How to Remove the Pedal Extension

1. Remove the pedal extensions by removing the locking pins(A) and release the rods(B) from the pedals.
2. Lift the quick release button(C) upwards and simultaneously slide the pedal platform(D) forward.



3.2 How to Mount the Pedal Extension

1. Mount the pedal extension by simultaneously lift the quick release button(A) and slide the pedal platform(B) in to place.
2. Connect the rods(D) to the mounting brackets on the existing pedals (C).



4 Support and Contact Information

Please contact your installation engineer if you require further assistance or need to ask questions about warranty. We recommend keeping the following information to hand at all times /

Contact details for the installation engineer /

Model/

Serial number/

Year of manufacture/

Date of purchase/

Notes/

EN

Support and contact information

8 Pedal Extension

10 Pedal Extension



Accredited by SWEDAC as testing laboratory in accordance with ISO/IEC 17025:2018
Quality system certified in accordance with ISO 9001:2015

Illustrations, descriptions and specifications in the user manual are based on current product information. BraunAbility Europe AB reserves the right to make alterations without previous notice.

© 2020 BraunAbility Europe AB



Braunability Europe AB

Åkerivägen 7

443 61 Stenkullen

Sweden

Phone: +46 302 254 00

E-mail: info@braunability.eu

www.braunability.eu